

# Connection Box

for FIS-0830/FIS-0870/FIS-680x

## ZAA12NN01

Part Number



### Technical Data

#### Electrical Data

Supply Voltage 18...28 V DC

#### Mechanical Data

Degree of Protection IP65

Packaging unit 1 Piece

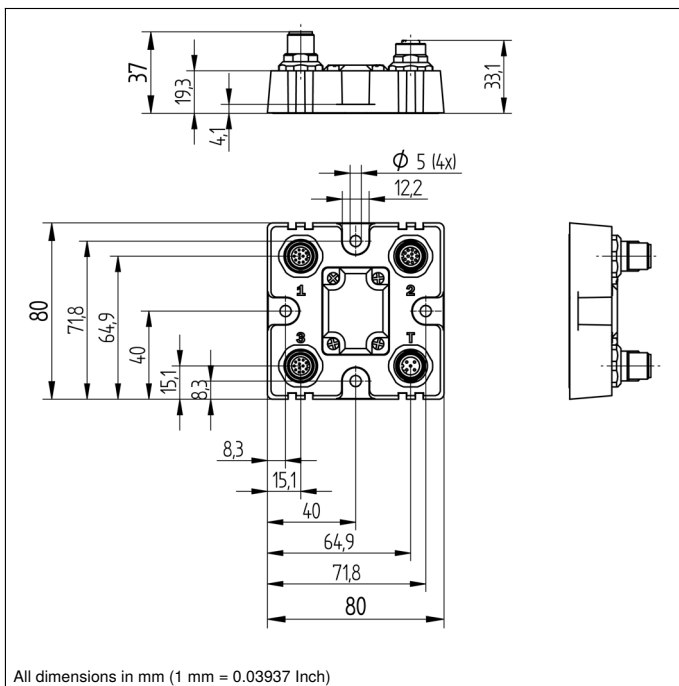
Connection Table No.

40

Suitable Connection Equipment No.

12

#### ● Protection mode IP65



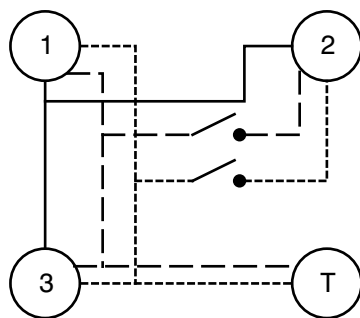
**40**

## Connector 1, 2, 3

Pin	Signal	In/Out
1	Trigger	In
2	Power	
3	Default	
4	New Master	
5	Output 1	Out
6	Output 3	Out
7	Ground	
8	Input Common	
9	Receive Data (RS-232)	In
10	Transmit Data (RS-232)	Out
11	Output 2	Out
12	Output Common	Out

## Connector T

Pin	Signal
1	Power +10...28 V DC
2	Trigger/New Master/Input 1 Common
3	Ground
4	Trigger



——— COMM-I/O    - - - - TRIGGER  
 - - - - POWER

