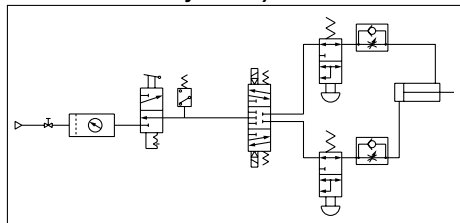


Residual Pressure Release Valve with One-touch Fitting



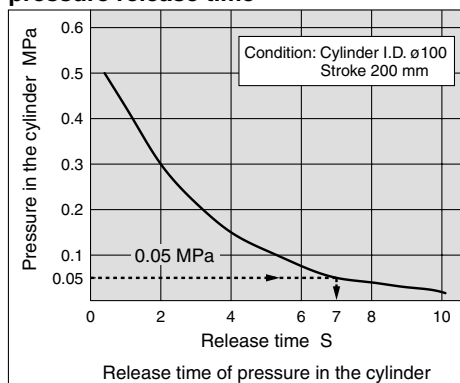
Residual pressure in the cylinder can be easily released with one push of the push button.

Example of circuit diagram (Residual exhaust of air cylinder)



- Easy operation with a push button.
- Piping parts are available in two types: with One-touch fittings and with Rc thread
Applicable tubing diameter: $\phi 6$, $\phi 8$, $\phi 10$, $\phi 12$
Connection thread Rc: 1/4, 3/8
- Residual pressure release time: Approx. 7 seconds (time required for the pressure to be 0.5 MPa to 0.05 MPa)

Example of air cylinder residual pressure release time

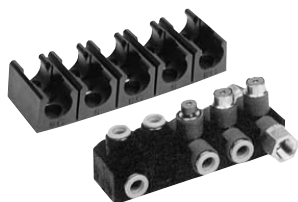


With One-touch fitting without a push button guard



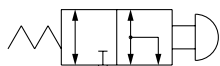
With One-touch fitting with a push button guard

Rc thread with a push button guard



Multi-holder (Series TMA) for fixing the KE□ series
Refer to page 401 for details.

JIS Symbol

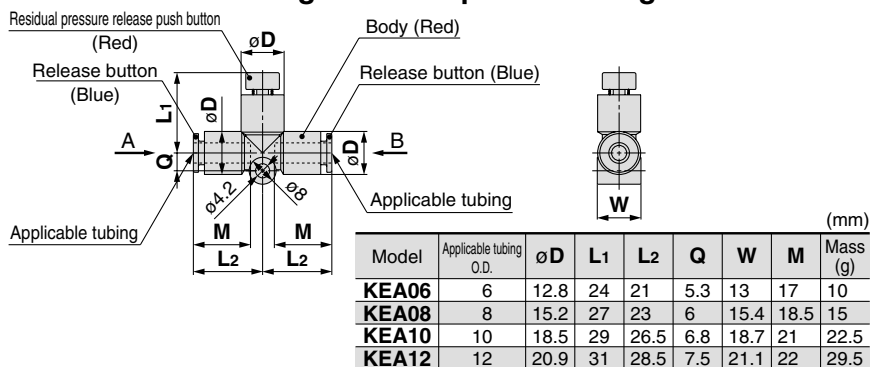


Specifications

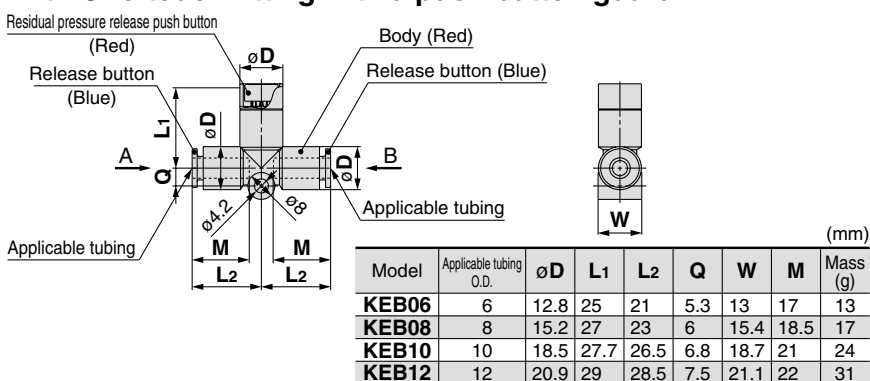
Model	Without a push button guard	KEA06	KEA08	KEA10	KEA12
	With a push button guard	KEB06	KEB08	KEB10	KEB12
	Rc thread with a push button guard	—	KEC-02	—	KEC-03
Applicable tubing O.D. or connection thread		$\phi 6$	$\phi 8$, Rc 1/4	$\phi 10$	$\phi 12$, Rc 3/8
Applicable tubing material		Nylon, Soft nylon, Polyurethane, FEP, PFA			
Fluid		Air			
Operating pressure range		0 to 1 MPa			
Ambient and fluid temperature		-5 to 60°C (No freezing)			
Effective area A↔B	Nylon	13.1 mm ²	26.1 mm ²	41.5 mm ²	58.3 mm ²
	Polyurethane	13.1 mm ²	18.0 mm ²	29.5 mm ²	46.1 mm ²
Residual pressure release effective area		1.8 mm ²			
Color	Body	Red			
	Push button	Red			
	Release button (Tube connection part)	Blue			

Dimensions

With One-touch fitting without a push button guard: KEA



With One-touch fitting with a push button guard: KEB



Rc thread with a push button guard: KEC

