

**PLEASE CHECK WWW.MOLEX.COM FOR LATEST PART INFORMATION**

**Part Number:** [2008750003](#)  
**Status:** **Active**  
**Overview:** [Micro-Fit 3.0 Connector System Product Family](#)  
**Description:** [Micro-Fit TPA Plug Housing, Single Row, 3 Circuits, UL 94V-0, Low-Halogen, Black](#)

**Documents:**

<a href="#">Drawing (PDF)</a>	<a href="#">RoHS Certificate of Compliance (PDF)</a>
<a href="#">Product Specification PS-43650 (PDF)</a>	<a href="#">Product Literature (PDF)</a>
<a href="#">Packaging Specification 2008750000-PK-000 (PDF)</a>	

**Agency Certification**

CSA	LR19980
UL	E29179

**General**

Product Family	Crimp Housings
Series	<a href="#">200875</a>
Application	Power, Wire-to-Wire
Comments	See Product Specification for maximum current rating by circuit size and wire AWG
Overview	<a href="#">Micro-Fit 3.0 Connector System Product Family</a>
Product Literature Order No	987650-5984
Product Name	Micro-Fit TPA
UPC	191128228831

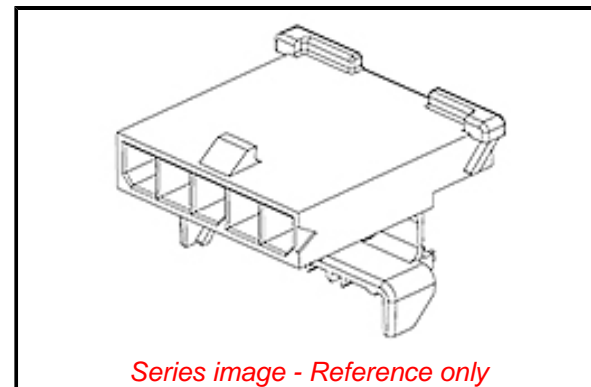
**Physical**

Circuits (maximum)	3
Color - Resin	Black
Flammability	94V-0
Gender	Plug
Glow-Wire Compliant	No
Keying to Mating Part	None
Lock to Mating Part	Yes
Material - Resin	Nylon
Net Weight	0.440/g
Number of Rows	1
Packaging Type	Bag
Panel Mount	No
Pitch - Mating Interface	3.00mm
Polarized to Mating Part	Yes
Stackable	No
Temperature Range - Operating	-40°C to +105°C

**Material Info**

**Reference - Drawing Numbers**

Packaging Specification	2008750000-PK-000
Product Specification	PS-43650
Sales Drawing	2008750000-SD-000



**EU ELV**

**Compliant**

**EU RoHS**

**Compliant**

**REACH SVHC**

Not Contained Per - ED/30/2017 (7 July 2017)

**Halogen-Free**

**Status**

**Low-Halogen**

**Need more information on product environmental compliance?**

Email [productcompliance@molex.com](mailto:productcompliance@molex.com)  
Please visit the [Contact Us](#) section for any non-product compliance questions.

China ROHS	Green Image
ELV	Compliant
RoHS Phthalates	Not Contained

**Search Parts in this Series**

[200875 Series](#)

**Mates With**

Micro-Fit TPA Receptacle Housing [171850](#)  
<br>Micro-Fit 3.0 Receptacle Housing [43645](#)

**Use With**

Micro-Fit 3.0 Male TPA Crimp <br>Terminal [43031-5xxx](#)