



Main

| | |
|-------------------------------|---|
| Range of product | OsiSense XC |
| Series name | Standard format |
| Product or component type | Limit switch |
| Device short name | XCKS |
| Sensor design | Form A conforming to CENELEC EN 50041 |
| Body type | Fixed |
| Head type | Rotary head |
| Material | Plastic |
| Body material | Plastic |
| Head material | Plastic |
| Fixing mode | By the body |
| Movement of operating head | Rotary |
| Type of operator | Spring return roller lever thermoplastic |
| Type of approach | Lateral approach, 1 or 2 programmable direction |
| Cable entry | 1 entry tapped for 1/2" NPT cable gland 0.28... 0.51 in (7...13 mm) |
| Number of poles | 2 |
| Contacts type and composition | 1 NC + 1 NO |
| Contact operation | Snap action |

Complementary

| | |
|--|---|
| Switch actuation | By 30° cam |
| Electrical connection | Screw-clamp terminals, clamping capacity: 1 x 0.34...2 x 1.5 mm ² |
| Contacts insulation form | Zb |
| Number of steps | 1 |
| Positive opening | With |
| Positive opening minimum torque | 1.33 lbf.in (0.15 N.m) |
| Minimum torque for tripping | 0.89 lbf.in (0.1 N.m) |
| Minimum actuation speed | 0.01 m/min |
| Maximum actuation speed | 4.92 ft/s (1.5 m/s) |
| Contact code designation | A300, AC-15 (U _e = 240 V), I _e = 3 A conforming to EN/IEC 60947-5-1 appendix A Q300, DC-13 (U _e = 250 V), I _e = 0.27 A conforming to EN/IEC 60947-5-1 appendix A |
| [I _{th}] conventional enclosed thermal current | 10 A AC |
| [U _i] rated insulation voltage | 300 V conforming to UL 508 500 V (pollution degree 3) conforming to IEC 60947-1 300 V conforming to CSA C22.2 No 14 |
| Maximum resistance across terminals | 25 MOhm IEC 60255-7 category 3 |
| [U _{imp}] rated impulse withstand voltage | 6 KV IEC 60664 6 kV IEC 60947-1 |
| Short-circuit protection | 10 A cartridge fuse, type gG |
| Electrical durability | 5000000 Cycles, DC-13, inductive load type, 120 V, 4 W, operating rate <60 cyc/mn, load factor: 0.5 conforming to IEC 60947-5-1 appendix C 5000000 Cycles, DC-13, inductive load type, 24 V, 10 W, operating rate <60 cyc/mn, load factor: 0.5 conforming to IEC 60947-5-1 appendix C 5000000 cycles, DC-13, inductive load type, 48 V, 7 W, operating rate <60 cyc/mn, load factor: 0.5 conforming to IEC 60947-5-1 appendix C |

The information provided in this documentation contains general descriptions and/or technical characteristics of the products of the performance of the products contained herein. This documentation is not intended as a substitute for and is not to be used for determining suitability or reliability of these products for specific user applications. It is the duty of any such user or integrator to perform the appropriate and complete risk analysis, evaluation and testing of the products with respect to the relevant specific application or use thereof. Neither Schneider Electric Industries SAS nor any of its affiliates or subsidiaries shall be responsible or liable for misuse of the information contained herein.

| | |
|-------------------------------|------------------------|
| Mechanical durability | 20000000 cycles |
| Maximum Width | 1.57 in (40 mm) |
| Height | 5.12 in (130 mm) |
| Depth | 2.36 in (60 mm) |
| Net Weight | 0.35 lb(US) (0.16 kg) |
| Terminals description ISO n°1 | (13-14)NO (21-22)NC |

Environment

| | |
|---------------------------------------|---|
| Shock resistance | 40 gn 11 ms IEC 60068-2-27 |
| Vibration resistance | 25 gn 10...500 Hz)IEC 60068-2-6 |
| IP degree of protection | IP67 conforming to IEC 60529 IP66 IEC 60529 |
| IK degree of protection | IK05 EN 50102 |
| Electrical shock protection class | Class II IEC 61140 Class II NF C 20-030 |
| Overvoltage category | Class II conforming to IEC 61140 Class II conforming to NF C 20-030 |
| Ambient air temperature for operation | -13...158 °F (-25...70 °C) |
| Ambient air temperature for storage | -40...158 °F (-40...70 °C) |
| Protective treatment | TC |
| Product certifications | UL CCC CSA |
| Standards | EN 60204-1 IEC 60947-5-1 EN 60947-5-1 IEC 60204-1 CSA C22.2 No 14 CENELEC EN 50041 UL 508 |




Ordering and shipping details

| | |
|-----------------------|------------------------------------|
| Category | 22417 - LIMIT SWITCH, IEC, CLASSIC |
| Discount Schedule | T |
| GTIN | 00785901715795 |
| Nbr. of units in pkg. | 1 |
| Package weight(Lbs) | 1 lb(US) (0.45 kg) |
| Returnability | No |
| Country of origin | ID |

Packing Units

| | |
|------------------------|----------------------|
| Unit Type of Package 1 | PCE |
| Package 1 Height | 1.56 in (39.624 mm) |
| Package 1 width | 2.34 in (59.436 mm) |
| Package 1 Length | 5.07 in (128.778 mm) |

Offer Sustainability

| | |
|----------------------------|---|
| Sustainable offer status | Green Premium product |
| California proposition 65 | WARNING: This product can expose you to chemicals including: Diisononyl phthalate (DINP), which is known to the State of California to cause cancer, and Di-isodecyl phthalate (DIDP), which is known to the State of California to cause birth defects or other reproductive harm. For more information go to www.P65Warnings.ca.gov |
| REACH Regulation |  REACH Declaration |
| EU RoHS Directive | Pro-active compliance (Product out of EU RoHS legal scope)  EU RoHS Declaration |
| Mercury free | Yes |
| RoHS exemption information |  Yes |

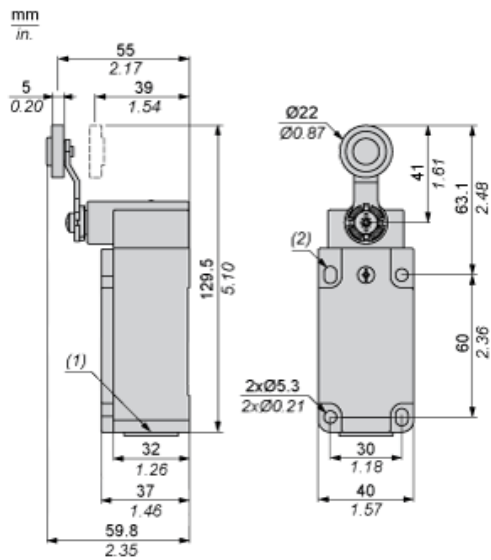
Environmental Disclosure

 [Product Environmental Profile](#)

Circularity Profile

 [End Of Life Information](#)

Dimensions



- (1) 1 tapped entry for 1/2NPT gland
- (2) 2 elongated holes $\varnothing 5.3 \times 7.3$.

Mounting with Cable Entry

Position of Cable Gland



- (1) Recommended
- (2) To be avoided

Mounting with Rotary Heads and Levers

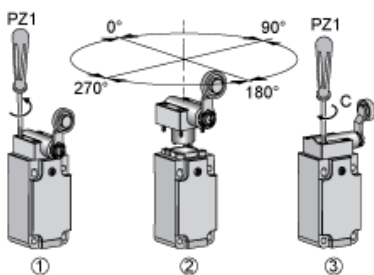
Type of Cam



- (1) Recommended
- (2) To be avoided

Setting-up

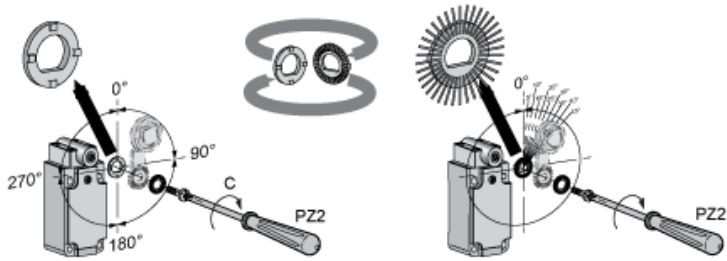
Head Rotation Adjustment



C : 1 Nm (+/- 20%) / 8.85 lb-in (+/- 20%)

Setting-up

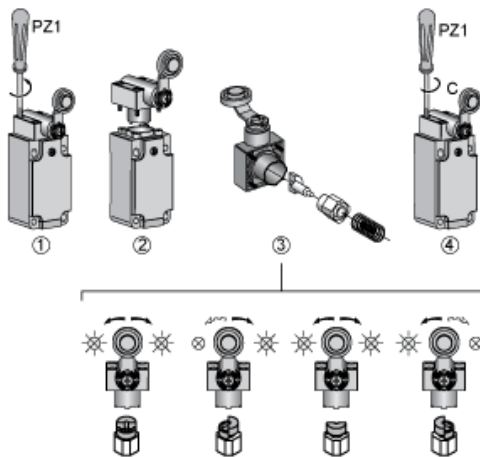
Lever Angle Adjustment



C : 1 Nm (+/- 20%) / 8.85 lb-in (+/- 20%)

Setting-up with Head ZCKD05

Direction of Actuation Programming



C : 1 Nm (+/- 20%) / 8.85 lb-in (+/- 20%)

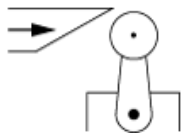
Wiring Diagram

2-pole NC + NO Snap Action

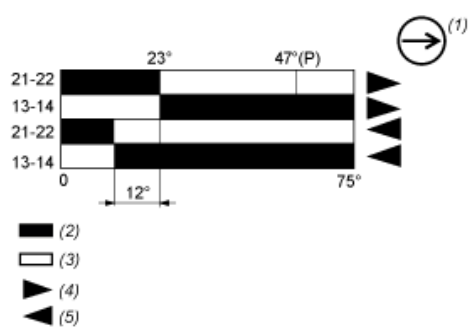


Characteristics of Actuation

Switch Actuation by 30° Cam



Functionnal Diagram



- (P) Positive opening point
(1) NC contact with positive opening operation
(2) Closed
(3) Open
(4) Tripping
(5) Resetting