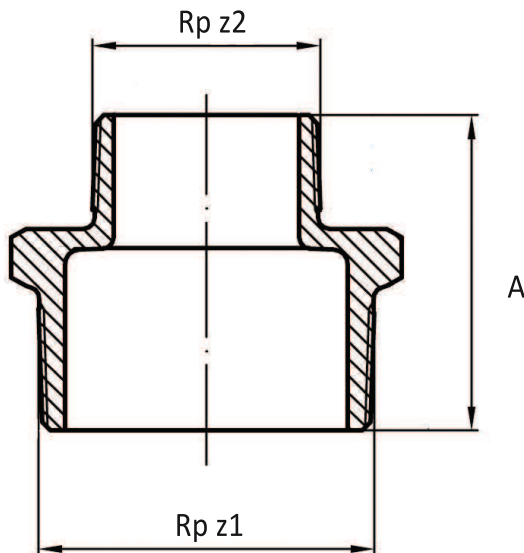


# TECHNICAL INFORMATION

Typ 245

Hexagon nipple, reduced M/M

N8



Size	A	Rp z1 x Rp z2
3/8" x 1/4"	38	3/8" x 1/4"
1/2" x 1/4"	44	1/2" x 1/4"
1/2" x 3/8"	44,5	1/2" x 3/8"
3/4" x 3/8"	47	3/4" x 3/8"
3/4" x 1/2"	46,5	3/4" x 1/2"
1" x 1/2"	53	1" x 1/2"
1" x 3/4"	53	1" x 3/4"
1 1/4" x 1/2"	57	1 1/4" x 1/2"
1 1/4" x 3/4"	57	1 1/4" x 3/4"
1 1/4" x 1"	57	1 1/4" x 1"
1 1/2" x 1/2"	59	1 1/2" x 1/2"
1 1/2" x 3/4"	59	1 1/2" x 3/4"
1 1/2" x 1"	59	1 1/2" x 1"
1 1/2" x 1 1/4"	68	1 1/2" x 1 1/4"
2" x 1/2"	68	2" x 1/2"
2" x 3/4"	68	2" x 3/4"
2" x 1"	68	2" x 1"
2" x 1 1/4"	68	2" x 1 1/4"
2" x 1 1/2"	68	2" x 1 1/2"
2 1/2" x 1"	75	2 1/2" x 1"
2 1/2" x 1 1/4"	75	2 1/2" x 1 1/4"
2 1/2" x 1 1/2"	75	2 1/2" x 1 1/2"
2 1/2" x 2"	75	2 1/2" x 2"
3" x 1 1/2"	81	3" x 1 1/2"
3" x 2"	83	3" x 2"
3" x 2 1/2"	83	3" x 2 1/2"
4" x 2"	93	4" x 2"
4" x 2 1/2"	93	4" x 2 1/2"
4" x 3"	93	4" x 3"

## Technical characteristics:

- products according to DIN EN 10242, Design Symbol A
- certified by DVGW CERT