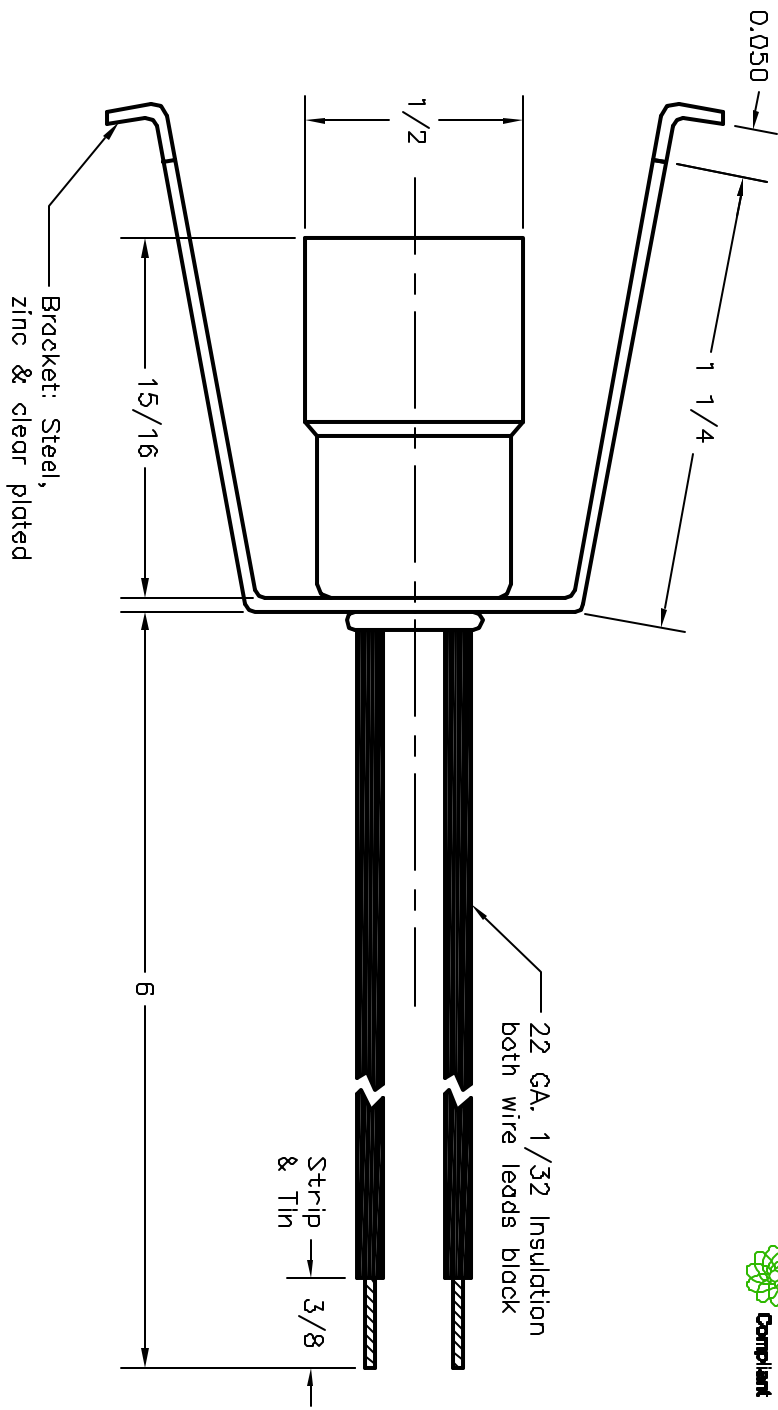
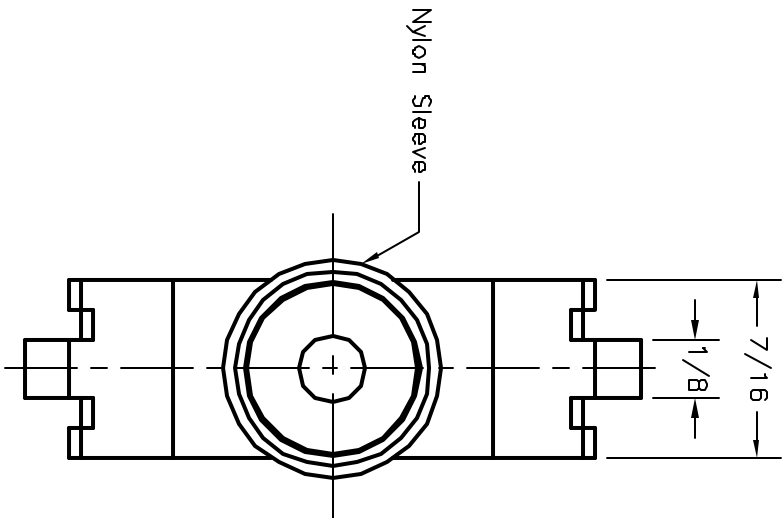


ALL RIGHTS RESERVED. NO PORTION OF THIS PUBLICATION, WHETHER IN WHOLE OR IN PART CAN BE REPRODUCED WITHOUT THE EXPRESS WRITTEN CONSENT OF SPC TECHNOLOGY.

REVISIONS		DOC. NO.	SPC-F005	Effective	12/21/08	Doc No	890	
DCP #	REV	DESCRIPTION	DRAWN	DATE	CHECKD	DATE	APPRVD	DATE
1948	A	RELEASED	JIN	09/29/08	JWM	09/29/08	JWM	09/29/08



**DISCLAIMER:**  
 ALL STATEMENTS AND TECHNICAL INFORMATION CONTAINED HEREIN ARE BASED UPON INFORMATION AND/OR TESTS WE BELIEVE TO BE ACCURATE AND RELIABLE. SINCE CONDITIONS OF USE ARE BEYOND OUR CONTROL, THE USER SHALL DETERMINE THE SUITABILITY OF THE PRODUCT FOR THE INTENDED USE AND ASSUME ALL RISK AND LIABILITY WHATSOEVER IN CONNECTION THEREWITH.

DRAWN BY: Jason Nash CHECKED BY: JWM APPROVED BY: JWM	DATE: 09/29/08 DATE: 09/29/08 DATE: 09/29/08
----------------------------------------------------------------------	-------------------------------------------------------------

Tolerances Unless  
 Otherwise Specified  
 Fractional ± 1/64

**SPC TECHNOLOGY**

DRAWING TITLE:  
 Insulated Miniature Bayonet Lampholder

SIZE	DWG. NO.	ELECTRONIC FILE	REV
A	SPC21762	16M1253.DWG	A
SCALE:	NTS	U.O.M.: INCHES	SHEET: 1 OF 1