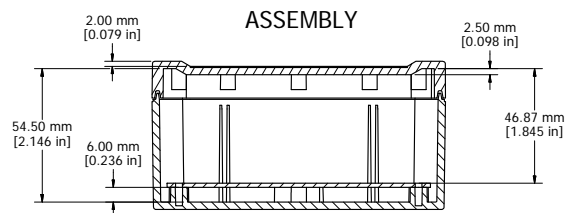
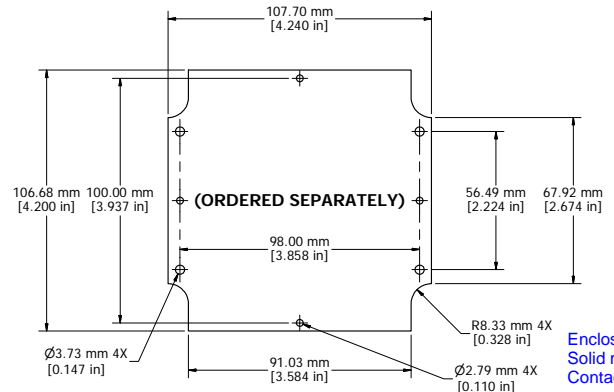


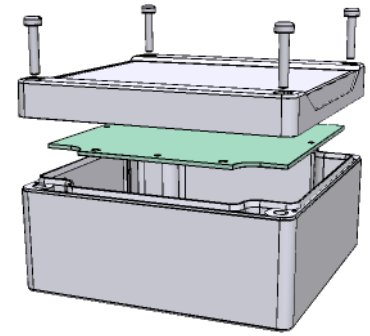
SECTION A-A



SECTION B-B



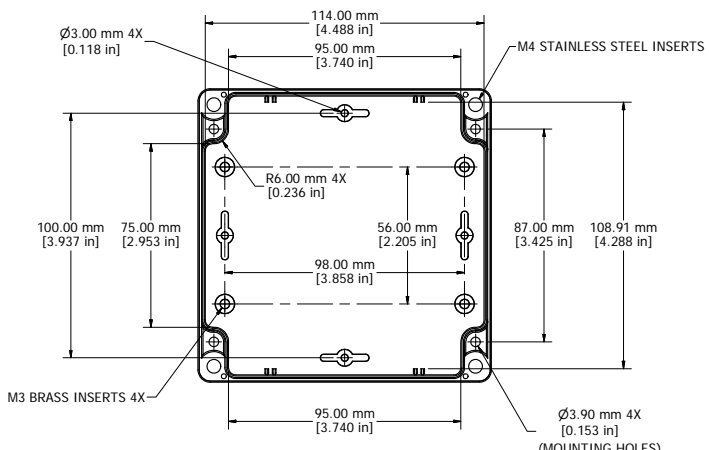
STEEL INNER PANEL



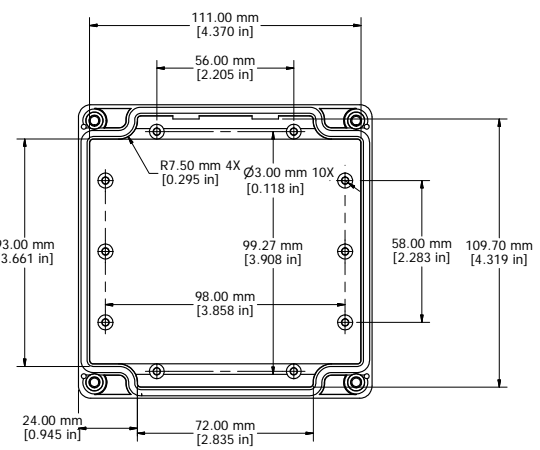
Polycarbonate Version Only
UL US LISTED
 File #E65324
 NEMA 4, 4X

Enclosures can be Factory Modified (Milling, Drilling, Printing etc.)
 Solid models of this enclosure available in STEP or IGES.
 Contact Factory mjm@hammondmfg.com

NOTE
 Purchased assembly includes box, styled lid, 4 cover screws, and preformed silicone gasket.
 General Purpose ABS version is not UL approved. (Matl UL94 - HB)
 Polycarbonate version is UL 508 approved. (Matl UL94 - V0)
Recommended Cover screw torque ~ 2.5 lbf-in (30 cN-m)



BOX - INSIDE



LID - INSIDE

1555N	
1555N Regular Enclosure	
General Purpose ABS RAL-7035	1555NGY
Polycarbonate RAL-7035	1555N2GY
ACCESSORIES	
Steel Inner Panels	1554NPL
Steel Panel / P.C. Board Machine Screw [M3 x 8mm Plated]	1591MM100
Steel Panel / P.C. Board Self Tapping Screw [#6 X 1/4" (6.4mm) Plated]	1598ATS100
Cover Screws (Pkg 4) [M4 X 20mm Stainless Steel]	SC1554

HAMMOND MANUFACTURING™
 1555N
www.hammondmfg.com