

Mechanical

External Dimension	: 120mm × 120mm × 38mm
Weight	: 480g
Bearing	: Two Ball Bearing

Electrical Characteristics

Rated Voltage	: 220V / 50Hz
Rated Current	: 0.12A ±10%A
Rated Input Power	: 18W ±10%

Efficiency

Rated Speed (range)	: 2650 RPM ±10%
Max. Air Flow	: 92 CFM
Max. Static Air Pressure	: 0.29Inch-H ₂ O

Characteristics

Operating Voltage Range	: 175V to 240V
Starting Voltage	: 175V (On/Off)
Locked Current	: 0.14A (Reference)
Operating Temperature	: -10°C to +70°C
Storage Temperature	: -30°C to +85°C
Environment Humidity	: 10% (RH) 45°C for 24 hours & 98% (RH) 45°C for 24 hours
Insulation Resistance	: At least 10MΩ at 500V DC between housing and both lead wires
Dielectric Strength	: Withstand 1800V AC 1 minute 1mA between housing and both lead wires

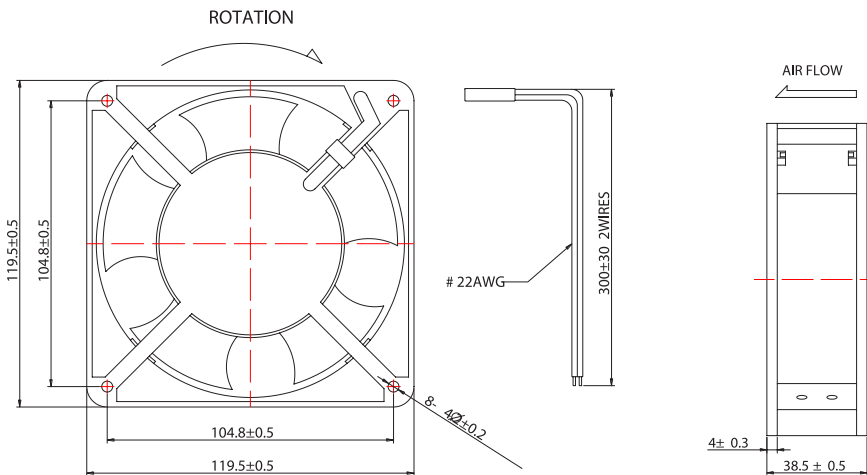
MTBF

Life expectance	: Continuous operation at rated voltage and normal temperature and humidity
Sleeve Bearing Life expectance	: 30,000 Hours
Two balls bearing life expectance	: 50,000 Hours
Tensile strength of connector	: Connector will not be any broken at 1 kg for 15 seconds per piece.
Accoustic Sound Vel	: 40 dBA

Material

Fan Housing	: Aluminium
Fan Blade	: PBT 85% + Fiber 15% (UL94V-0)
Stator core	: Stainless Steel (SUS420J2)
Bearing	: Ball Bearing
Line Frame	: PA6/66 (5% to 25%)
Silicon Steel Strip	: (H23) (H-8)
Enamelled Copper Wires	: Material & Specification (0.11 ~ 0.114mm)
Lead Wires	: Polyvinyl Chorideenamelled Copper Wires (AWG #22; L=300mm)
Lable	: Polyester

Dimensions



Dimensions : Millimetres

Part Number Table

Description	Part Number
AC Cooling Fan, 0.12A/220V, Bearing Ball	MC002104

Important Notice : This data sheet and its contents (the "Information") belong to the members of the AVNET group of companies (the "Group") or are licensed to it. No licence is granted for the use of it other than for information purposes in connection with the products to which it relates. No licence of any intellectual property rights is granted. The Information is subject to change without notice and replaces all data sheets previously supplied. The Information supplied is believed to be accurate but the Group assumes no responsibility for its accuracy or completeness, any error in or omission from it or for any use made of it. Users of this data sheet should check for themselves the Information and the suitability of the products for their purpose and not make any assumptions based on information included or omitted. Liability for loss or damage resulting from any reliance on the Information or use of it (including liability resulting from negligence or where the Group was aware of the possibility of such loss or damage arising) is excluded. This will not operate to limit or restrict the Group's liability for death or personal injury resulting from its negligence. Multicomp Pro is the registered trademark of Premier Farnell Limited 2019.

Newark.com/multicomp-pro
 Farnell.com/multicomp-pro
 Element14.com/multicomp-pro