



CE

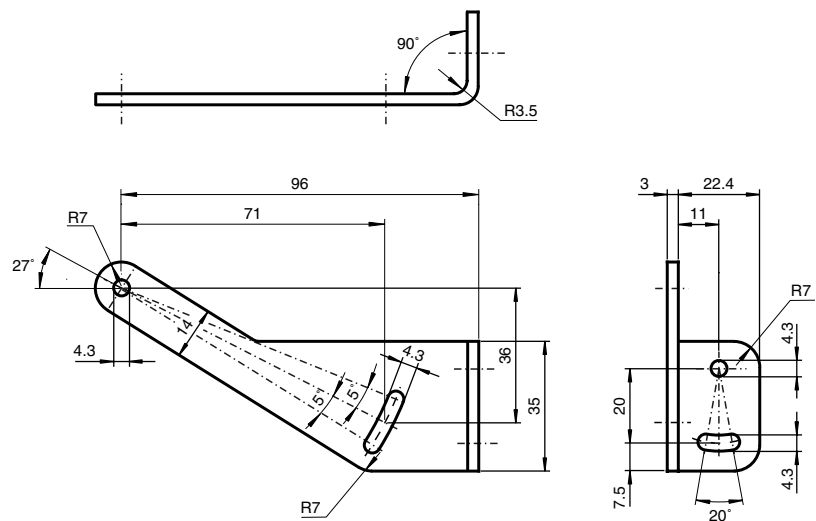
Model Number

OMH-91

Mounting bracket

Features

- Mounting bracket
- Simple and fast mounting

Dimensions**Technical data****Mechanical specifications**

Material	Metal sheet (steel), black-coated
Mass	approx. 70 g
Mounting	Mounting accessories included

Suitable series

Series	RL91
--------	------