






NEOZED-FLUSH MOUNTING FUSE BASE MOLDED PLASTIC,
 D01 3-POLE TOUCH PROTECTION (BGV A2) ACCESS:
 ELEVATOR TERMINAL OUTGOING: ELEVATOR
 TERMINAL 16A,
 AC 400V/DC 250V

Similar to image

Technical data:

Number of poles		3
Type of mounting		DIN rail
Operating current / rated value	A	16
Operating voltage / rated value	V	400
Material / of D fuse base		others
Product component / Cover		Yes
Size of the fallback-system / acc. to DIN EN 60269-1		D01

Certificates/approvals:

General Product Approval	Declaration of Conformity	Test Certificates
 GOST	 VDE	 EG-Konf.
		Type Test Certificates/Test Report

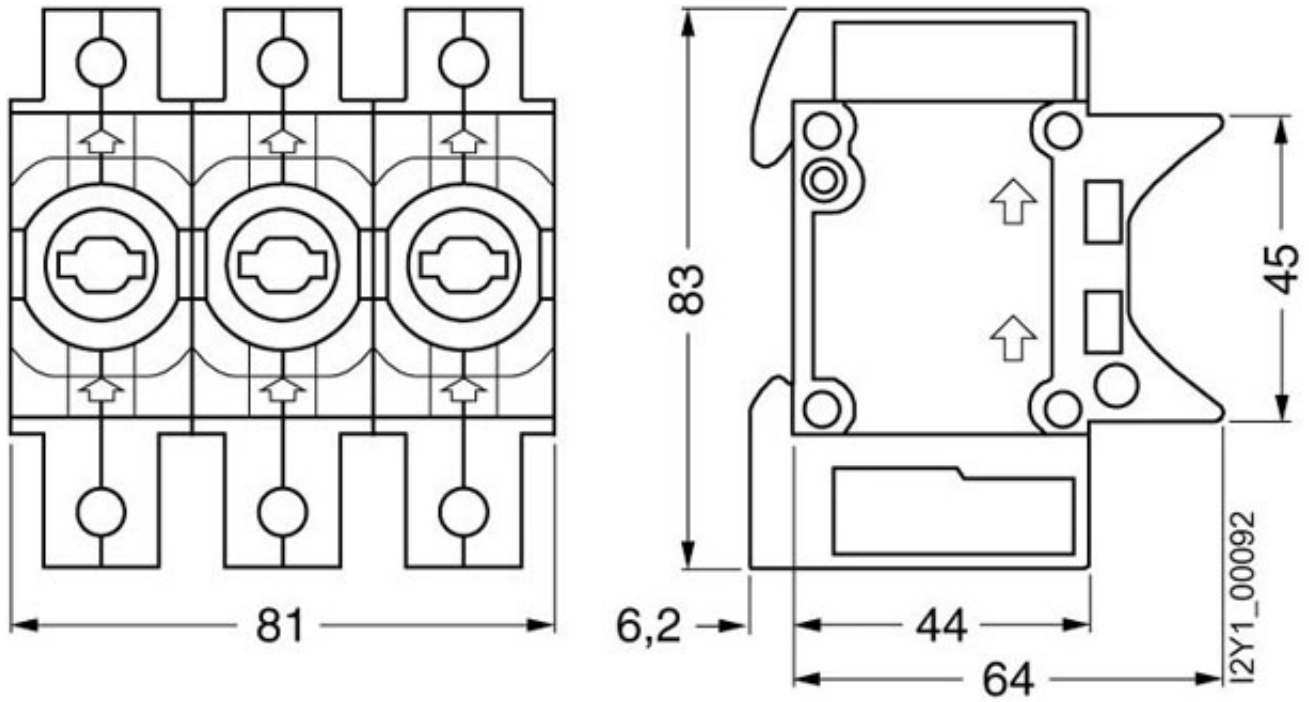
Further information:

Information- and Downloadcenter (Catalogs, Brochures,...)
<http://www.siemens.com/lowvoltage/catalogs>

Industry Mall (Online ordering system)
<http://www.siemens.com/lowvoltage/mall>

Tender specifications

Datanorm [GAEB81](#) [GAEB83](#) RTF TXT



last change:

Oct 28, 2013