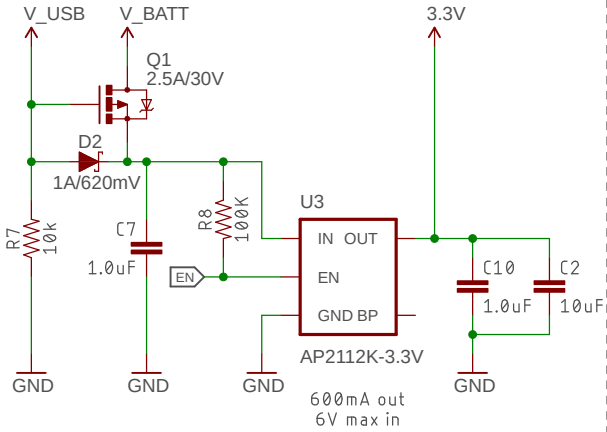
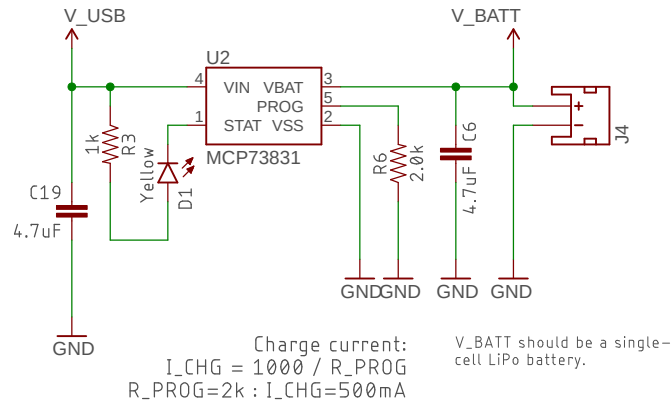


Voltage Regulator and Battery Charger

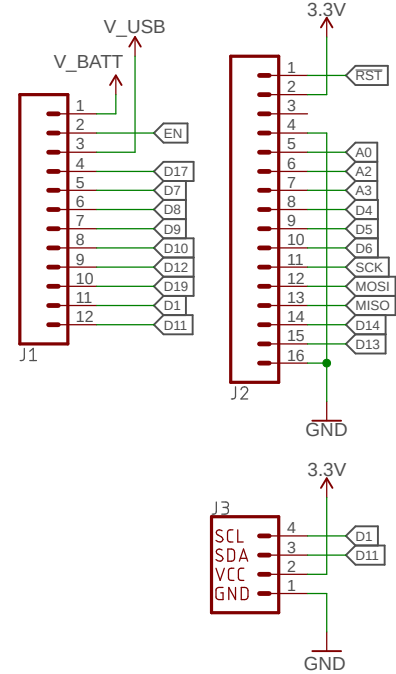
V_USB – 6V MAX
V_BATT – Single Cell (4.2V MAX)



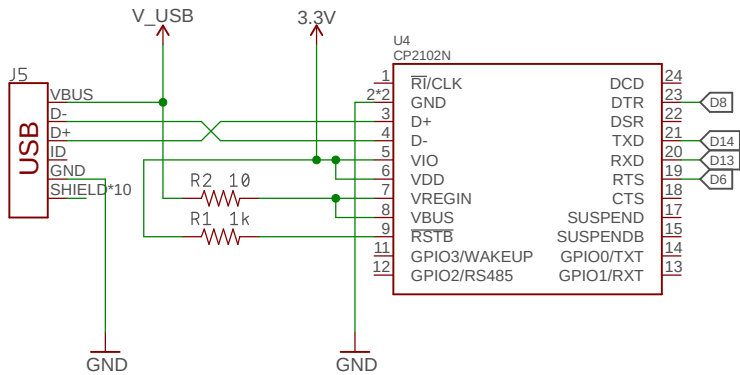
Lithium-Polymer Battery Charger (1-cell)



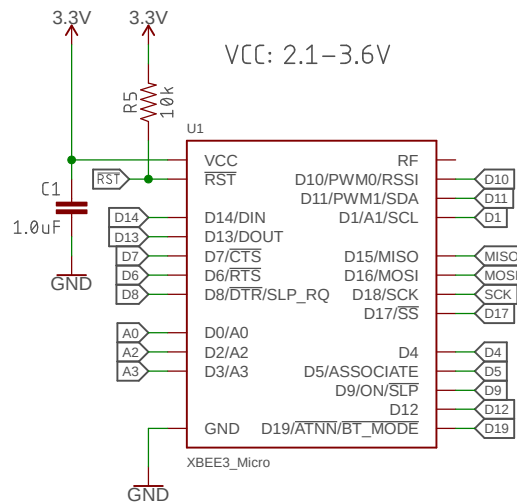
Connectors



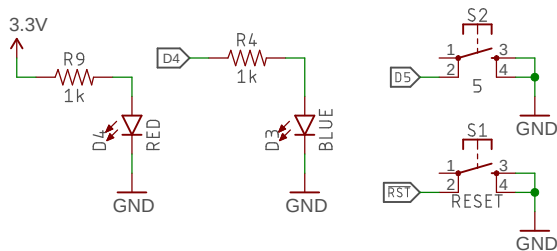
USB (CP2102) Bridge



XBee3 Module



LEDs and Buttons



Released under the Creative Commons

Attribution Share-Alike 4.0 License

<https://creativecommons.org/licenses/by-sa/4.0/>



TITLE: XBEE3_Thing_Plus

Design by: Alex Wende

REV:
v10

Date: 7/16/2019 7:12 AM

Sheet: 1/1