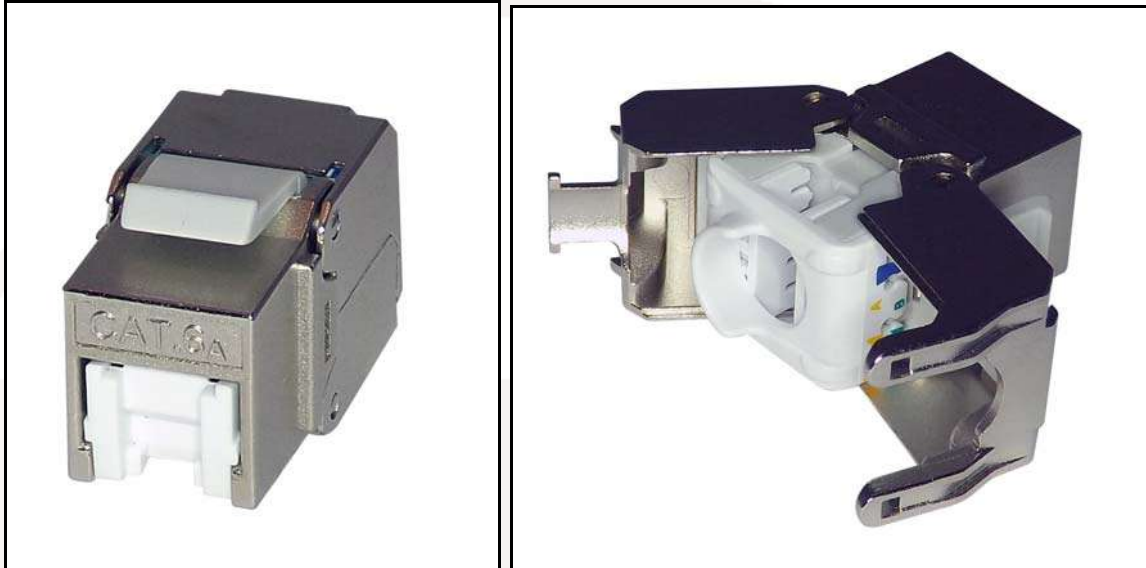


Category 6A Shielded Keystone Jack



Category 6A Shielded Keystone Jack (SGKSje)

Our die-cast fully shielded Category 6A jack offers a toolless keystone solution for almost any Category 5e, Category 6 or Category 6A STP requirement

Features

- High performance compliant with ANSI/TIA 568 C.2 standard at permanent link level
- Compliant with IEC60512-99-001 – suitable for use with IEEE 802.3at (PoE+) applications
- 3rd Party (Delta) verified
- Quick and easy tool-less lever “butterfly” style termination
- Fully shielded die-cast body is robust as well as offering outstanding performance in eliminating alien cross-talk
- Compact housing suitable for use in high density installations e.g. 0.5U panels
- Standard format keystone fits a wide range of panels, adaptors and faceplates
- Suitable for 23-26 AWG stranded and solid wire. (0.40 – 0.57mm)
- Built-in dustcover
- Panel mount, D UNIVERSAL and DIN rail mountable versions also available

Specifications

- Weight: 22g approx
- Dimensions: 37.8 x 22 x 16.8mm approx.

- Colour: Silver
- Materials: Zinc alloy housing; 50µ"/1.27µm gold plating over nickel over phosphor bronze on contacts
- Plug insertion life: > 750 insertions
- Supplied with cable tie
- Operating temperature: -10°C to 60°C

Packaging: Packed in individual polybags then in bags of 20

NB: Flush cutter must be used to trim cores

EAN:

SGKSje: 5055386507211

SGKSjepm: 5055386507228

SGKSjeDINS: 5055386507235

SGKSjeDSpm: 5055386507242

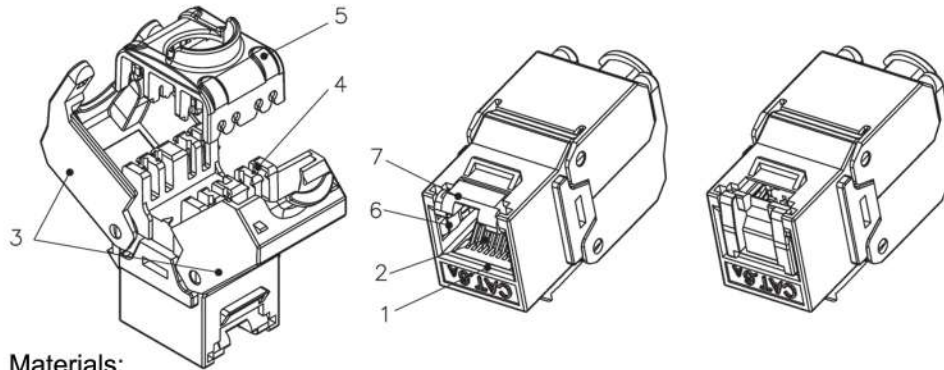
Commodity Code: 85444920



ROHS Compliant

Category 6A shielded keystone jack

Code: SGKSje



Materials:

1. RJ45 jack:

Housing: die cast nickel plated zinc

Contact bracket: PC, UL 94-V2. transparent colour

2. RJ45 jack contact:

Material: nickel plated phosphor bronze

Finish: 1.27µm/50µ" gold plated on plug contact area

3. Cap A&B: die cast nickel plated zinc

4. IDC

Housing: PC, grey colour (RAL7035), UL 94-V2

Terminal: Tin plated phosphor bronze

5. Cap: PC, white colour, UL 94-V2

6. Clip: Stainless steel

7. Shutter: ABS+PC, UL 94V-0, white colour

8. PCB: FR4, UL 94-V0

Performance:

a. T568A & T568B wiring

b. Insertion force: 30N max. (IEC 60603-7-5)

c. Retention strength: 7.7kg between jack and plug

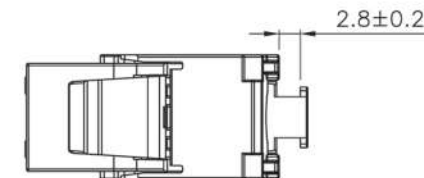
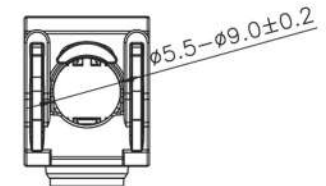
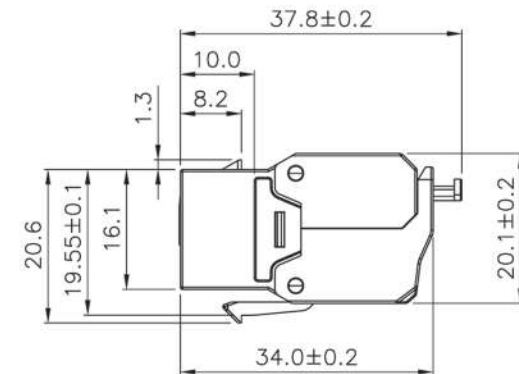
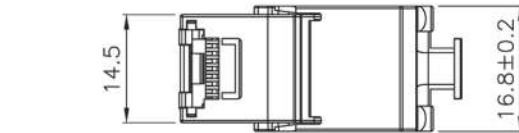
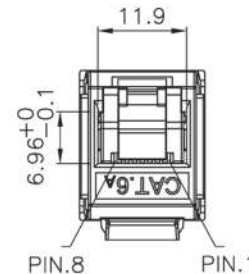
d. Operating temperature: -10°C to 60°C (ISO/IEC 11801, ANSI/TIA 568 C.2)

e. Life (mating cycles)

Jack: 750 cycles min. (ISO/IEC 11801, IEC 60603-7-5)

IDC: Suitable for 23-26 AWG stranded and solid wire.

f. The Cat 6A transmission performance is in compliance with the ANSI/TIA 568 C.2 standard



SCALE 1/1

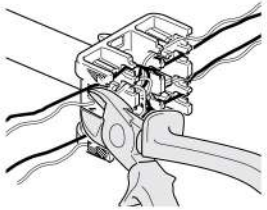


Category 6A Keystone Jack User Guide

SGKSje

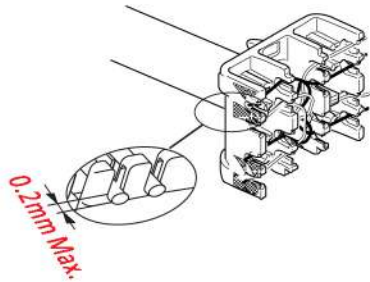


1

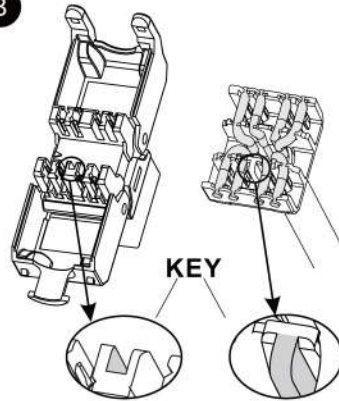


CUT FLUSH

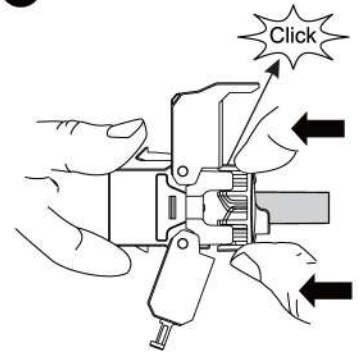
2



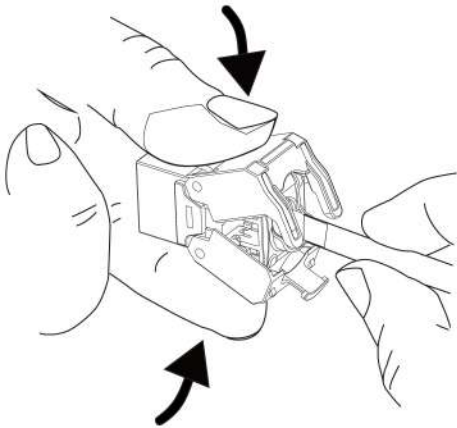
3



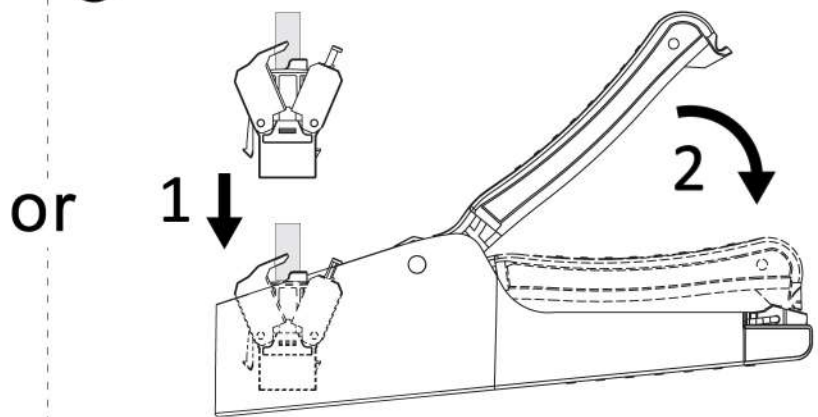
4



5a



5b

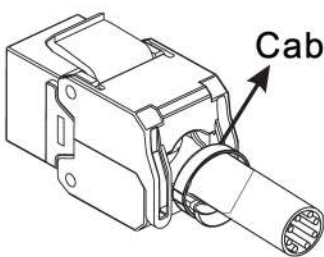


or

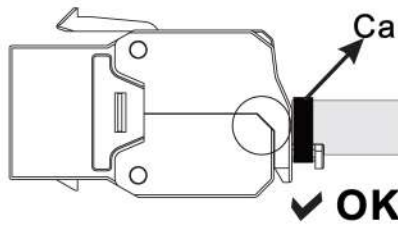
1

2

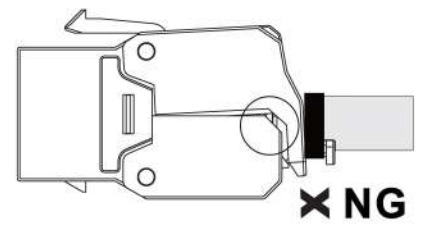
6



Cable tie



✓ OK



✗ NG

•The mated plug should comply with FCC Part 68 Subpart F rules and IEC 60603-7.