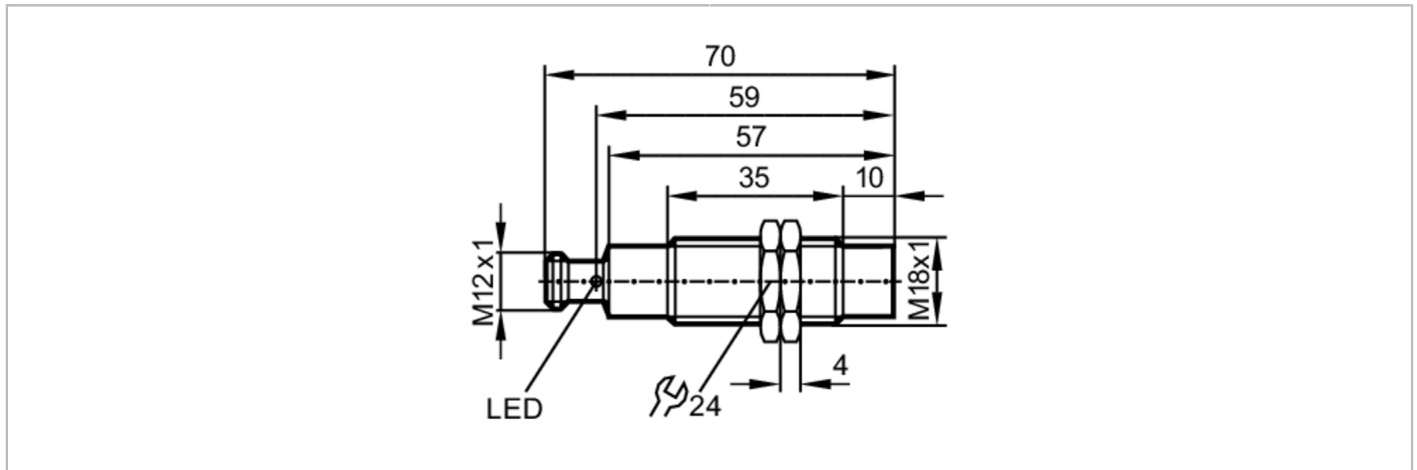


DTI425



RFID read/write head HF

DTRHF GNRWIOUS03



Application	
Application	detection of objects on transport equipment
Radio approval for	Europe; China
Electrical data	
Operating voltage [V]	19.2...28.8 DC
Current consumption [mA]	< 50
Protection class	III
Operating frequency [MHz]	13,56
RFID standard	ISO 15693
Detection zone	
Distance to the ID tag [mm]	referred to 30 mm coin tag; I-CODE SLI : ≤ 40
Interfaces	
Communication interface	IO-Link
Transmission type	COM2 (38.4 kBaud)
IO-Link revision	1.1
SDCI standard	IEC 61131-9
IO-Link device ID	967 d / 00 03 C7 h
Profiles	Smart Sensor: Device Identification
SIO mode	no
Required master port type	A
Min. process cycle time [ms]	22
Operating conditions	
Ambient temperature [°C]	-20...60
Storage temperature [°C]	-25...80
Protection	IP 67; IP 69K

DTI425



RFID read/write head HF

DTRHF GNRWIOUS03

Tests / approvals		
EMC	EN 301489-3	
Shock resistance	EN 60068-2-27	40 g 6 ms / repetitive
	EN 60068-2-27	50 g 11 ms / not repetitive
Vibration resistance	EN 60068-2-6	20 g 10...2000 Hz
Electrical protection	EN 61010-2-201 : 2013 +AC:2013	
Radio approval	EN 300 330-2 V2.1.1	
MTTF [years]	481	

Mechanical data		
Weight [g]	126	
Housing	cylindrical	
Mounting	non-flush mountable	
Dimensions [mm]	M18 x 1 / L = 70	
Thread designation	M18 x 1	
Materials	housing: stainless steel (1.4301 / 304); Protective cover: PPS; plug insert: PEI	

Displays / operating elements		
Display	operation	1 x LED, green
	tag communication	1 x LED, yellow

Remarks		
Pack quantity	1 pcs.	

Electrical connection

Connector: 1 x M12



Connection

