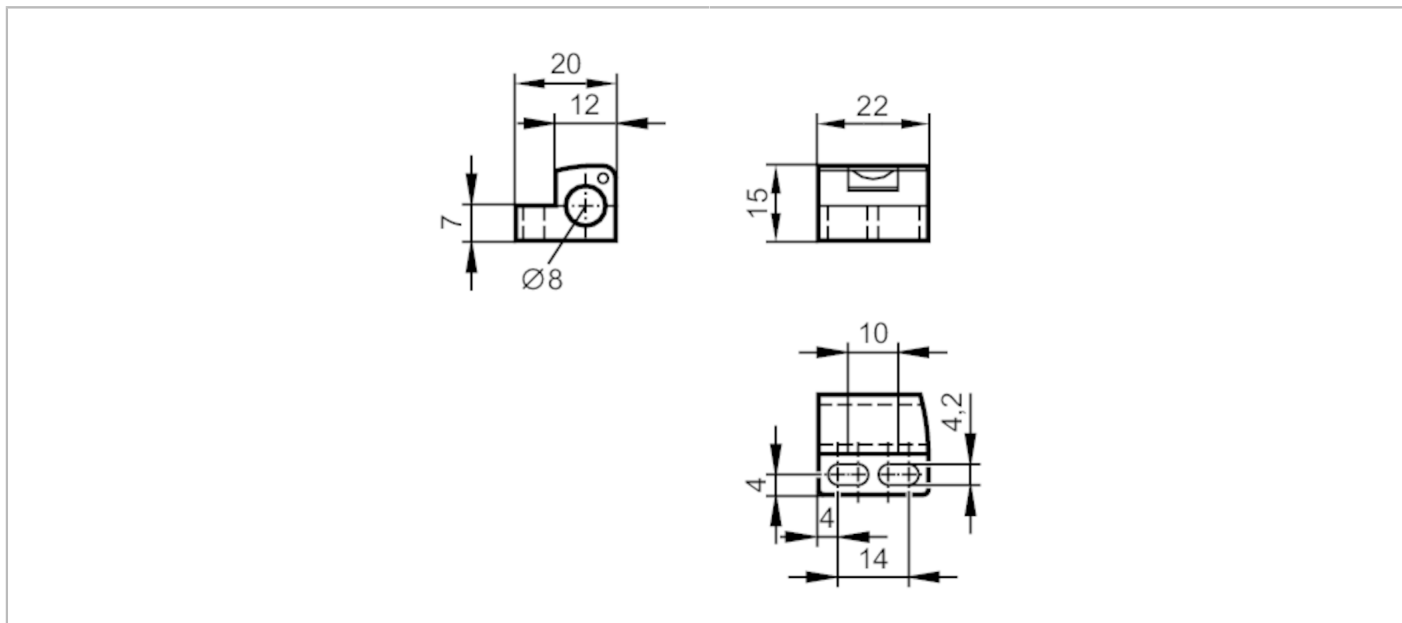


# E11521



## Mounting clamp for position sensors

MOUNTING CLAMP M8



### Application

Design with end stop

### Operating conditions

Ambient temperature [°C] -25...85

### Mechanical data

Weight [g] 4.3

Dimensions [mm] 15 x 20 x 22

Inside diameter [mm] 8

Materials PC

### Remarks

Pack quantity 1 pcs.