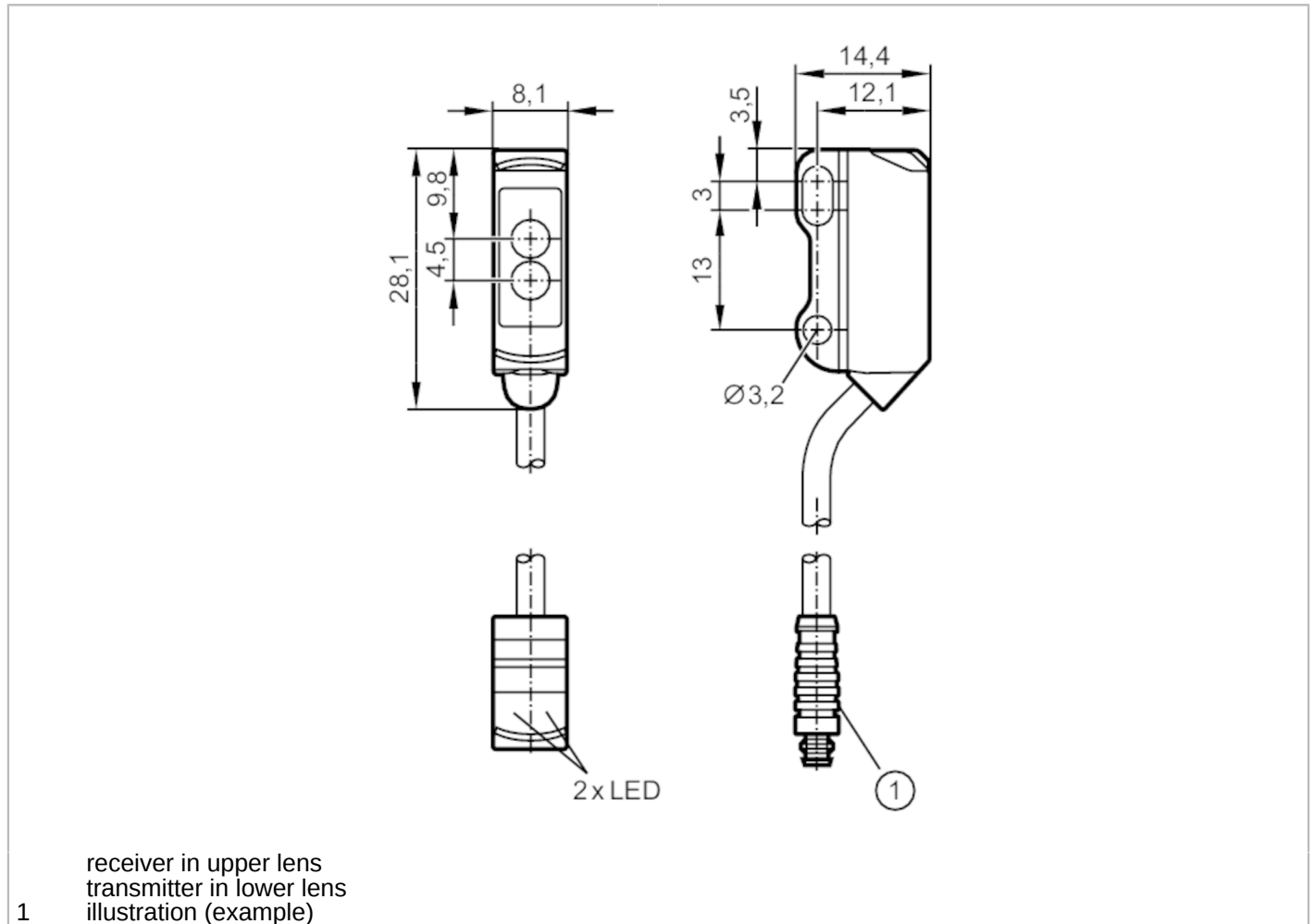




Diffuse reflection sensor

O8T-HPKG/IO-Link/0,30M/AS/3P



Product characteristics	
Type of light	red light
Communication interface	IO-Link
Housing	rectangular
Dimensions [mm]	28.1 x 8.1 x 14.4
Application	
Function principle	Diffuse reflection sensor
Electrical data	
Operating voltage [V]	10...30 DC
Current consumption [mA]	20; ((24 V))
Protection class	III
Reverse polarity protection	yes
Type of light	red light
Wave length [nm]	633



Diffuse reflection sensor

O8T-HPKG/IO-Link/0,30M/AS/3P

Outputs		
Electrical design	PNP	
Output function	light-on mode	
Max. voltage drop switching output DC [V]	2.5	
Permanent current rating of switching output DC [mA]	100	
Switching frequency DC [Hz]	1000	
Short-circuit protection	yes	
Type of short-circuit protection	pulsed	
Detection zone		
Range [mm]	0...180; (white paper 200 x 200 mm)	
Max. light spot diameter [mm]	18	
Light spot dimensions refer to	at maximum range	
Interfaces		
Communication interface	IO-Link	
Transmission type	COM2 (38.4 kBaud)	
IO-Link revision	1.1	
SDCI standard	IEC 61131-9	
Profiles	Smart Sensor: Device Identification; Device Diagnosis; Teach Channel; Switching Channel	
SIO mode	yes	
Required master port type	A	
Min. process cycle time [ms]	2.5	
IO-Link functions (cyclical)	function	bit length
	process value	8
	device status	4
	binary switching information	1
IO-Link functions (acyclical)	application specific tag; operating hours counter; switching cycles counter	
Supported DeviceIDs	788 d / 00 03 14 h	
Operating conditions		
Ambient temperature [°C]	-25...60	
Protection	IP 65; IP 67	
Tests / approvals		
EMC	EN 60947-5-2	
MTTF [years]	1067	
Mechanical data		
Weight [g]	21.2	
Housing	rectangular	
Dimensions [mm]	28.1 x 8.1 x 14.4	
Materials	housing: ABS; stainless steel (1.4404 / 316L)	
Lens material	PMMA	
Lens alignment	side lens	

O8T202



Diffuse reflection sensor

O8T-HPKG/IO-Link/0,30M/AS/3P

Displays / operating elements

Display	switching status	1 x LED, yellow
	operation	1 x LED, green

Remarks

Pack quantity	1 pcs.
---------------	--------

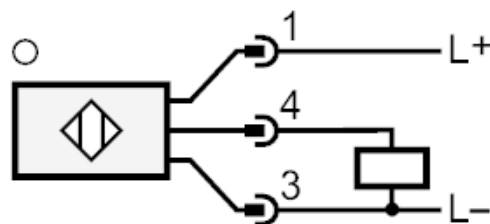
Electrical connection

Cable: 0.3 m, PVC, black, Ø 2.9 mm; 3 x 0.08 mm²

Connector: 1 x M8



Connection



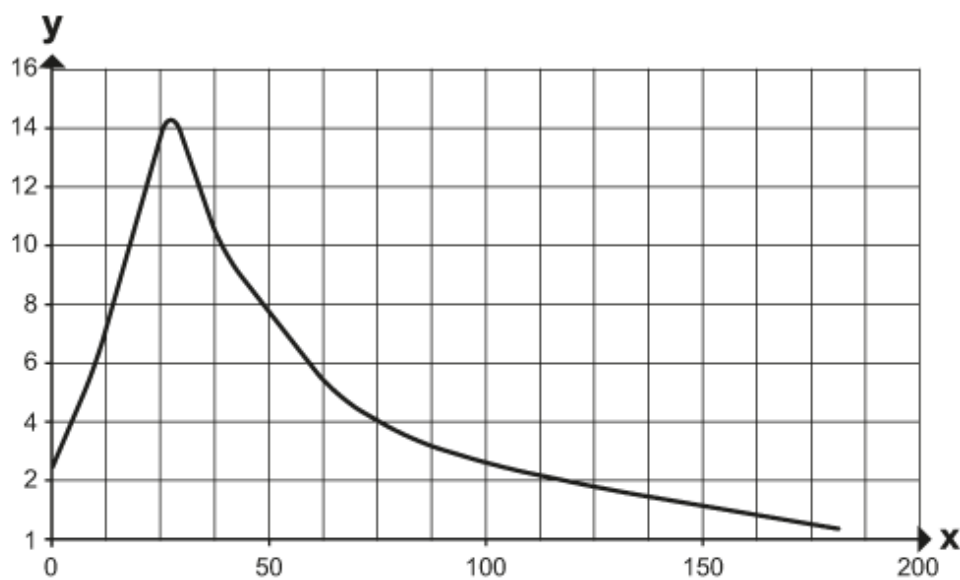


Diffuse reflection sensor

O8T-HPKG/IO-Link/0,30M/AS/3P

Diagrams and graphs

excess gain graph



x: Abstand [mm]

y: Funktionsreservfaktor