

## MCS-B POWER SUPPLY 1-PHASE,

IN: 90-265VAC OUT: 24V/0,6ADC

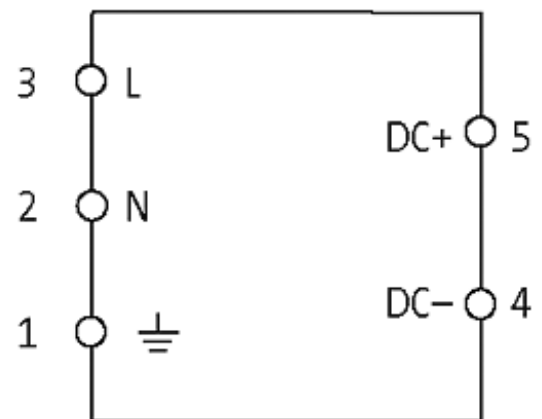
INPUT: 90...265 V AC

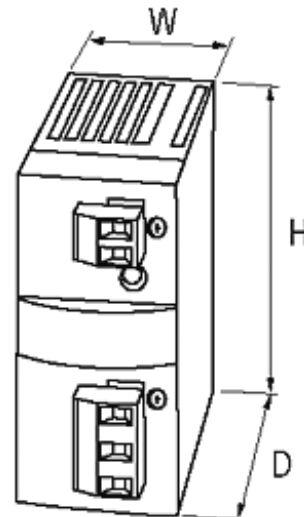
OUTPUT: 24 V DC +3/-1%

Current: 0.6 A

### [Link to Product](#)

#### Illustration





Product may differ from Image

### Approvals



### Input

Input voltage	90...265 V AC; 110...300 V DC
Input current	0.3 A (100 V AC); 0.2 A (230 V AC)
Inrush current after 1 ms	max. 20 A
Primary fusing external	max. 10 A
Frequency	50...60 Hz

### General data

Standards	(EN 60950-1), (EN 61204-3), (EN 55022 B), (EN 61000-3-2)
Relative humidity	5...95 %, no condensation
Efficiency	81 % (100 V AC); 83 % (230 V AC)
Dimensions H x W x D	76x38x87.5 mm
Mounting method	DIN-rail mountable TH35 (EN 60715)
Temperature range	0...+50 °C, ...+60 °C derating (storage temperature -25...+85 °C)

### Output

Output voltage	24 V DC (SELV), $\pm 1$ %; 22...28 V adjustable
Output current	0.6 A (+50 °C); 0.5 A (+60 °C)
Mains failure bridging time	min. 25 ms (100 V AC); min. 150 ms (230 V AC)
Ripple	max. 50 mVrms
Spikes	max. 350 mV p-p
Unit protection	short-circuit and overload protected
LED display	LED (green) for output voltage
Parallel usage/serial usage	max. 5 units/max. 2 units

**Commercial data**

country of origin	CZ
customs tariff number	85044090
minimum order quantity	1