



CE

Model Number

OMH-C110-01

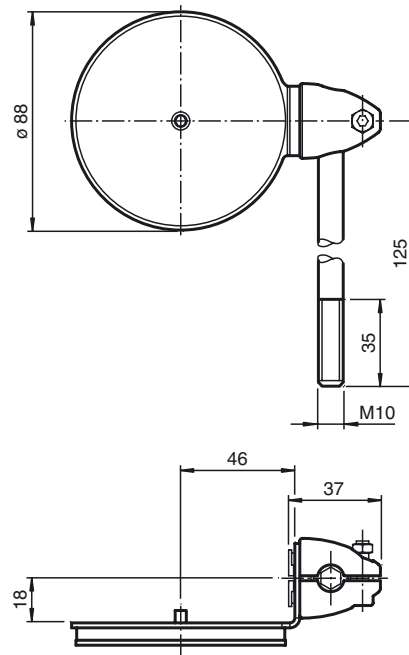
Mounting bracket

Features

- Mounting bracket
- Simple and fast mounting
- Fixed setting

Mounting bracket for C110-2 reflector

Dimensions



Technical data

Mechanical specifications

Material	Stainless steel
Mass	approx. 277 g
Mounting	Mounting accessories included