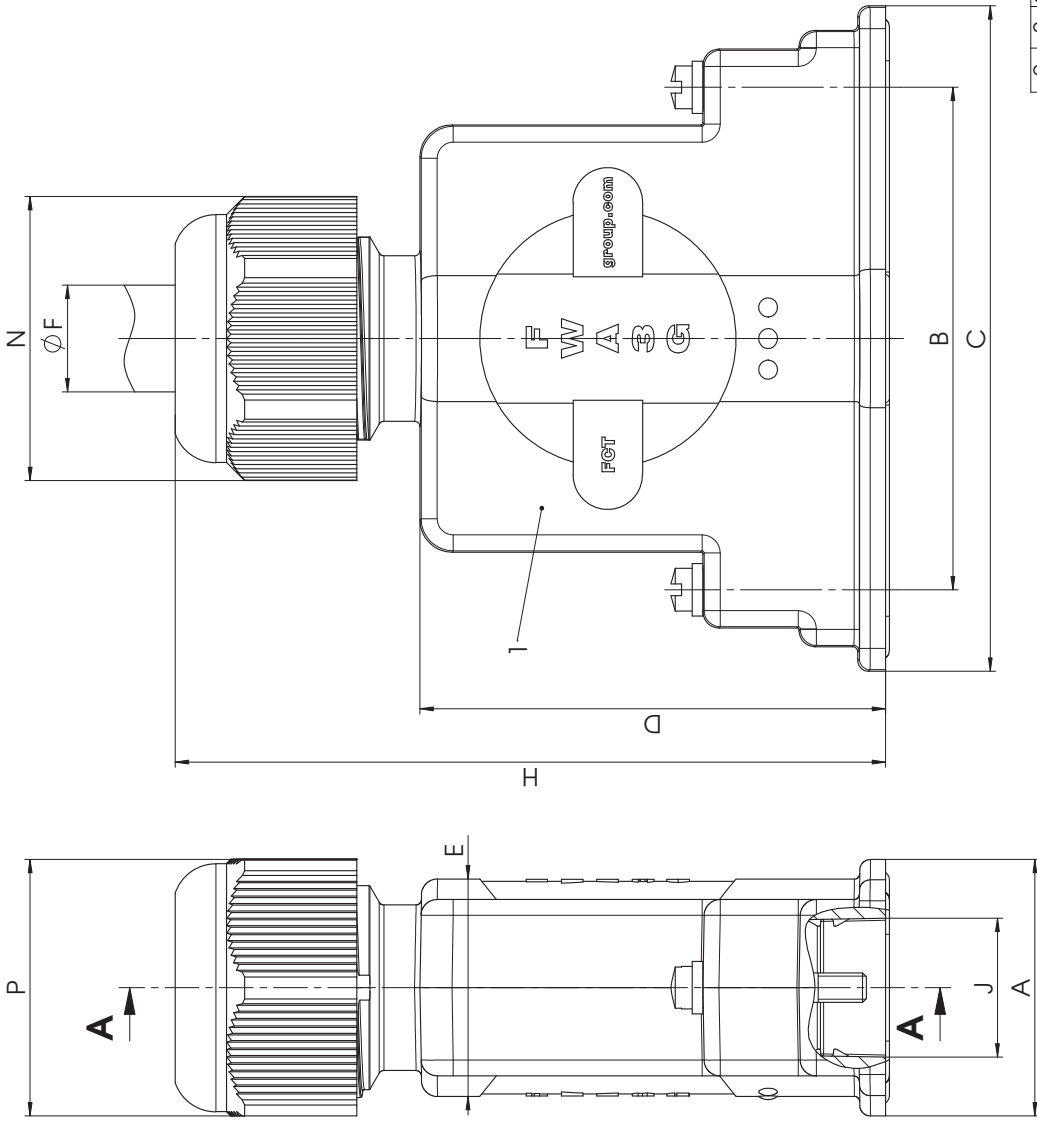


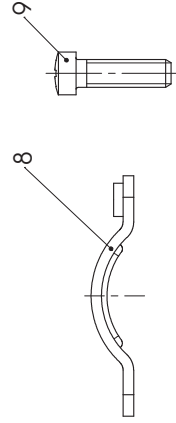
FOR REAR MOUNTED MATING CONNECTORS
PANEL THICKNESS 1-2mm FOR SAFE CONTACT AREA



ØF = Cable diameter

max. torque are 40 Ncm
 Mounting instruction AM0268
 Part-No. 8 and 9 not mounted

② Protection standarda IP67, 100% checked
 according to DIN EN 60529



9	2	Cable clamp screw	Steel	zinc plated
8	2	Cable clamp	Steel	zinc plated
7	1	Shielding plate	Bronze	tin plated
6	1	Nut	Polyamide	black
5	1	Pressure washer	Polyester	black
4	1	Seal ring	Elastomer	black
3	2	Locking screw with o-ring seal	FVSW1/5-K1449 4-40 / Brass + Elastomer	nickel plated + red
2	1	O-ring seal	Elastomer	red
1	1	Hood	FWA1G, FWA2-5G-K201 / Polyester	black
No.	St.	Part	Type Description/Material	Surface plating/Colour/Class

Measurement without tolerance acc. to ISO 2768-m		SCALE	TITLE
NAME / DATE		2:1	Plastic Hood waterproof
DRAWN		Meyer-Richter/MUC	
CHECKED		Arke/Meyer-Richter	
		01-02-2013	
3	30-01-2013	23381	
2	15-09-2008	22309	
1	16-04-2008	22244	
REV.	DATE	CH.-NO.	REPLACEMENT FOR:
			FWA1G-0G, FWA5G, SW
			PAGES 1

Order-No.	Shell Size / for No. of Contacts	A	B	C	D	E	øF	G	H	J	K	L	M	N	P
FWA1G	1 / 9	20.2	25	39.8	36.4	16.5	6 - 8	20	54 - 57.5	13	17	32.4	28.8	22.1	SW20
FWA2G	2 / 15	20.2	33.3	48.5	36.4	16.5	6 - 8	28	54 - 58	13	25	41.1	28.8	26.6	SW24
FWA3G	3 / 25	24	47	62.3	43.6	20.3	8 - 10.5	40	63 - 66.5	13	37	53.8	36	26.6	SW24
FWA4G	4 / 37	24	63.5	78.6	52.1	20.3	8 - 10.5	56.2	71.5 - 75	13	53.2	71.1	44.5	26.6	SW24
FWA5G	5 / 50	27.6	61.1	75.7	52.1	22	9 - 11	55.5	73.5 - 78.5	16	52.2	68	44.5	32.1	SW29

COMMENT: ALL RIGHTS ARE RESERVED BY US FOR THIS DRAWING. WITHOUT OUR PRIOR CONSENT, IT MAY NEITHER BE REPRODUCED NOR MADE AVAILABLE TO A THIRD PARTY. AND IT ALSO MAY NOT BE IMPROPERLY USED BY THE RECEIVER, OR A THIRD PARTY.