



## Main

|                                    |  |
|------------------------------------|--|
| Range of product                   | OsiSense XS  |
| Series name                        | General purpose                                    |
| Sensor type                        | Inductive proximity sensor                         |
| Sensor name                        | XS6  |
| Sensor design                      | Cylindrical M8                                     |
| Size                               | 51 mm  |
| Body type                          | Fixed  |
| Detector flush mounting acceptance | Flush mountable                                    |
| Material                           | Stainless steel                                    |
| Type of output signal              | Discrete   |
| Wiring technique                   | 3-wire   |
| [Sn] nominal sensing distance      | 0.10 in (2.5 mm)                                   |
| Discrete output function           | 1 NO   |
| Output circuit type                | DC   |
| Discrete output type               | PNP  |
| Electrical connection              | Cable  |
| Cable length                       | 16.40 ft (5 m)                                     |
| [Us] rated supply voltage          | 12...48 V DC reverse polarity protection           |
| Switching capacity in mA           | <= 200 mA DC overload and short-circuit protection |
| IP degree of protection            | IP67 IEC 60529                                     |

## Complementary

|                          |                             |
|--------------------------|-----------------------------|
| Thread type              | M8 x 1                      |
| Detection face           | Frontal                     |
| Front material           | PPS                         |
| Enclosure material       | Stainless steel 303         |
| Sensing range            | > 0...0.1 in (> 0...2.5 mm) |
| Operating zone           | 0.00...0.08 in (0...2 mm)   |
| Differential travel      | 1...15% of Sr               |
| Cable composition        | 3 x 0.11 mm <sup>2</sup>    |
| Wire insulation material | PvR                         |
| Status LED               | Output state 1 LED yellow)  |
| Supply voltage limits    | 10...58 V DC                |
| Switching frequency      | <= 2500 Hz                  |
| Maximum voltage drop     | <2 V closed)                |
| Current consumption      | <= 10 mA no-load            |
| Maximum delay first up   | 10 ms                       |
| Maximum delay response   | 0.2 ms                      |
| Maximum delay recovery   | 0.2 ms                      |
| Marking                  | CE                          |
| Threaded length          | 1.65 in (42 mm)             |
| Length                   | 2.01 in (51 mm)             |
| Net Weight               | 0.34 lb(US) (0.155 kg)      |

## Environment

|                                       |   |
|---------------------------------------|---|
| Product certifications                | CSA<br>UL                               |
| Ambient air temperature for operation | -13...158 °F (-25...70 °C)              |
| Ambient air temperature for storage   | -40...185 °F (-40...85 °C)              |
| Vibration resistance                  | 25 gn +/- 2 mm 10...55 Hz)IEC 60068-2-6 |
| Shock resistance                      | 50 gn 11 ms IEC 60068-2-27              |

## Ordering and shipping details

|                       |                            |
|-----------------------|----------------------------|
| Category              | 22486 - SENSORS, PROXIMITY |
| Discount Schedule     | DS2                        |
| GTIN                  | 00785901805823             |
| Nbr. of units in pkg. | 1                          |
| Package weight(Lbs)   | 0.21 lb(US) (0.10 kg)      |
| Returnability         | No                         |
| Country of origin     | FR                         |

## Packing Units

|                              |                       |
|------------------------------|-----------------------|
| Unit Type of Package 1       | PCE                   |
| Package 1 Height             | 0.79 in (2 cm)        |
| Package 1 width              | 4.41 in (11.2 cm)     |
| Package 1 Length             | 3.74 in (9.5 cm)      |
| Unit Type of Package 2       | BAG                   |
| Number of Units in Package 2 | 1                     |
| Package 2 Weight             | 2.54 oz (72 g)        |
| Package 2 Height             | 0.79 in (2 cm)        |
| Package 2 width              | 4.41 in (11.2 cm)     |
| Package 2 Length             | 3.74 in (9.5 cm)      |
| Unit Type of Package 3       | S02                   |
| Number of Units in Package 3 | 22                    |
| Package 3 Weight             | 5.14 lb(US) (2.33 kg) |
| Package 3 Height             | 5.91 in (15 cm)       |
| Package 3 width              | 11.81 in (30 cm)      |
| Package 3 Length             | 15.75 in (40 cm)      |

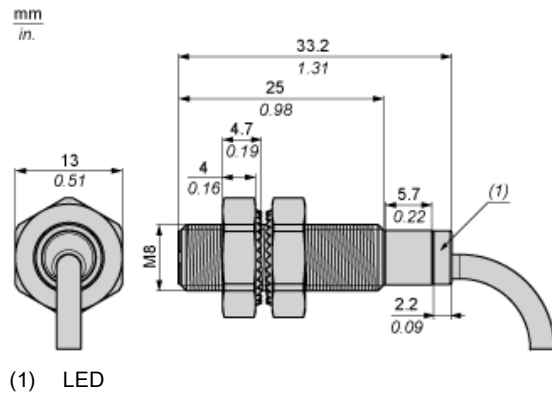
## Offer Sustainability

|                            |   |
|----------------------------|---|
| Sustainable offer status   | Green Premium product   |
| California proposition 65  | WARNING: This product can expose you to chemicals including: Diisononyl phthalate (DINP), which is known to the State of California to cause cancer, and Di-isodecyl phthalate (DIDP), which is known to the State of California to cause birth defects or other reproductive harm. For more information go to <a href="http://www.P65Warnings.ca.gov">www.P65Warnings.ca.gov</a> |
| REACH Regulation           | <a href="#">REACH Declaration</a>   |
| EU RoHS Directive          | Pro-active compliance (Product out of EU RoHS legal scope) <a href="#">EU RoHS Declaration</a>  |
| Mercury free               | Yes   |
| RoHS exemption information | <a href="#">Yes</a>   |
| Environmental Disclosure   | <a href="#">Product Environmental Profile</a>   |
| Circularity Profile        | <a href="#">End Of Life Information</a>   |

## Contractual warranty

|          |           |
|----------|-----------|
| Warranty | 18 months |
|----------|-----------|

Dimensions



---

Minimum Mounting Distances in mm

---

Side by side



e (1) 5 mm/0.20 in.

≥

Face to face



e (2) 30 mm/1.18 in.

≥

Facing a metal object



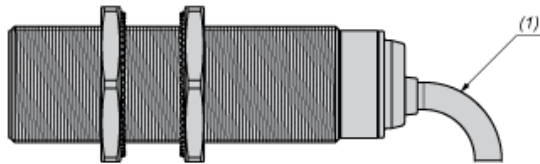
e (3) 8 mm/0.31 in.

≥

---

Mounting

---



(1) Bending cable: 4 x external cable diameter

---

## Wiring Schemes

---

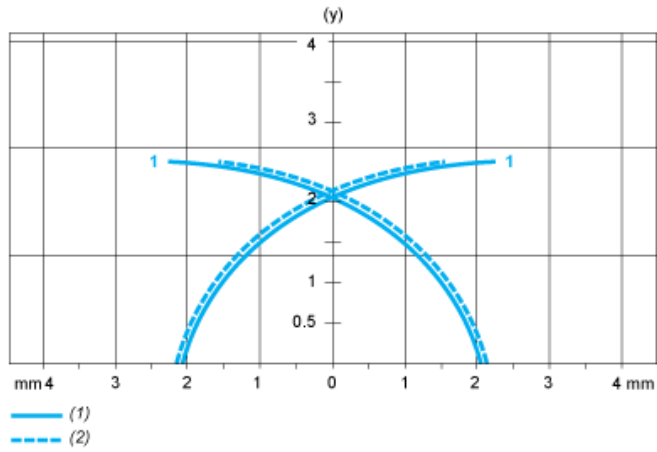
PNP



BU : Blue  
BN : Brown  
BK : Black

Performance Curves

Standard Steel Target (mm) : 8x8x1



- (1) Pick-up points
- (2) Drop-out points (object approaching from the side)
- (y) Sensing distance in mm