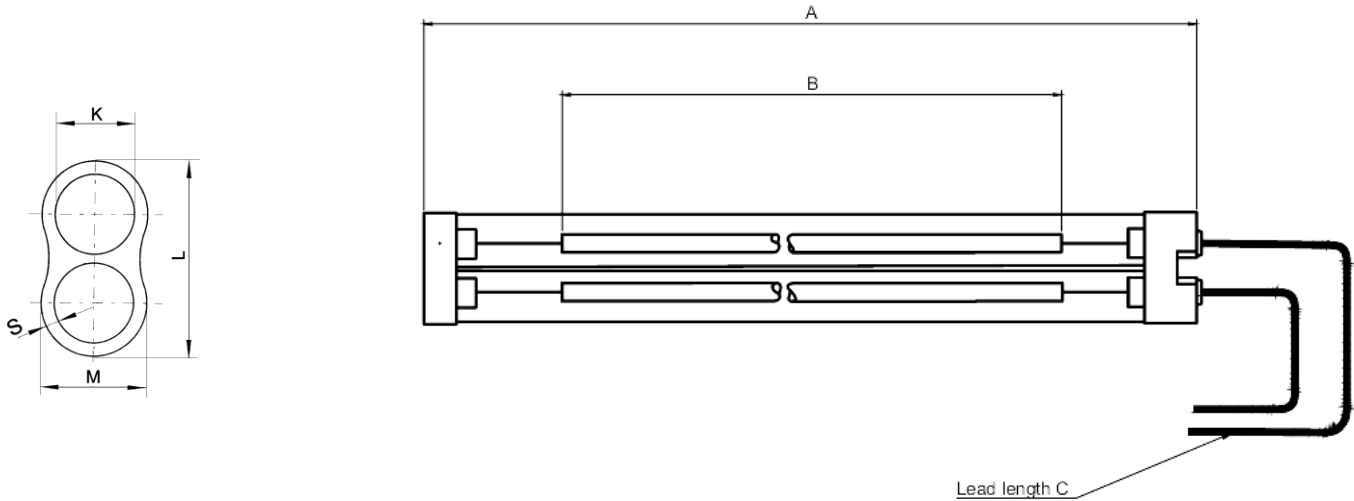


# Victory Lighting Product Data Specification

Product Code: 69412550-M  
Issue No: 1  
Issue Date: 21 April 2014



## Dimensions

|   |        |   |        |
|---|--------|---|--------|
| A | 1100±2 | K |        |
| B | 100±5  | L | 33 Nom |
| C | 500±5  | M | 16 Nom |
| D |        | S |        |

All dimensions in mm unless otherwise stated

## Technical Data

|            |                    |                  |            |
|------------|--------------------|------------------|------------|
| Volts      | 415                | Colour Temp      | 1150 max   |
| Watts      | 2500               | Life             | 5000       |
| Lumen/Watt | < 1                | Burning Position | Horizontal |
| Finish     | Clear/refl coating | Leads            | Single ins |
| Cap        | Ceramic            |                  |            |

415v 2500w Medium wave B Type Lamp

Authorised By