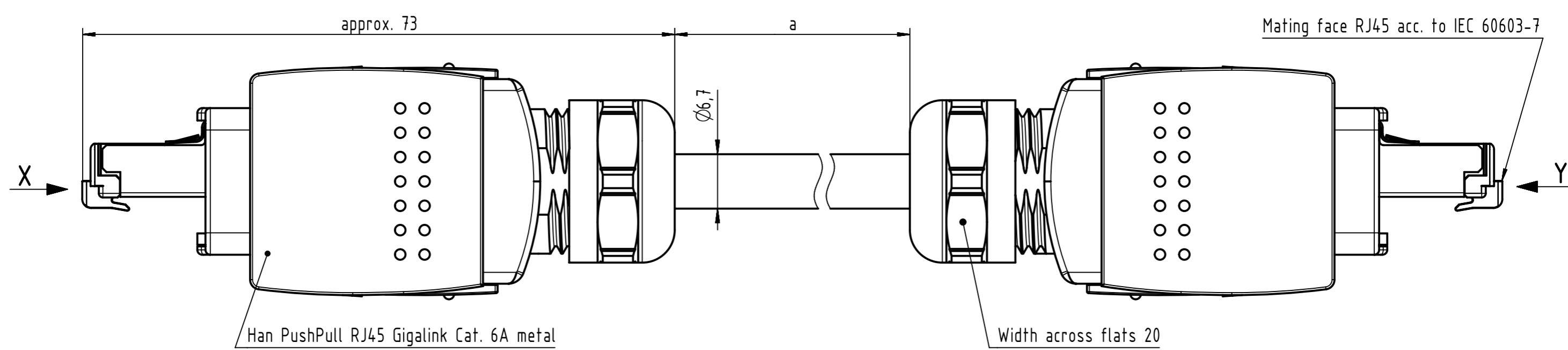


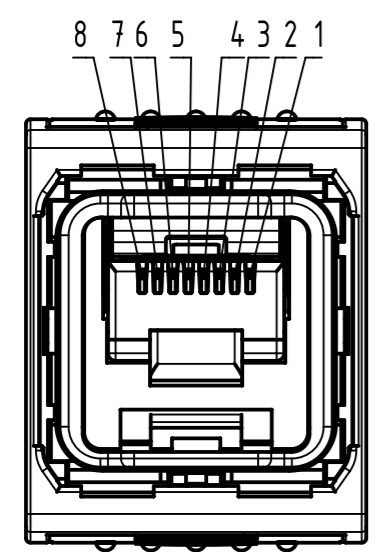
Connector Location A

Connector Location B

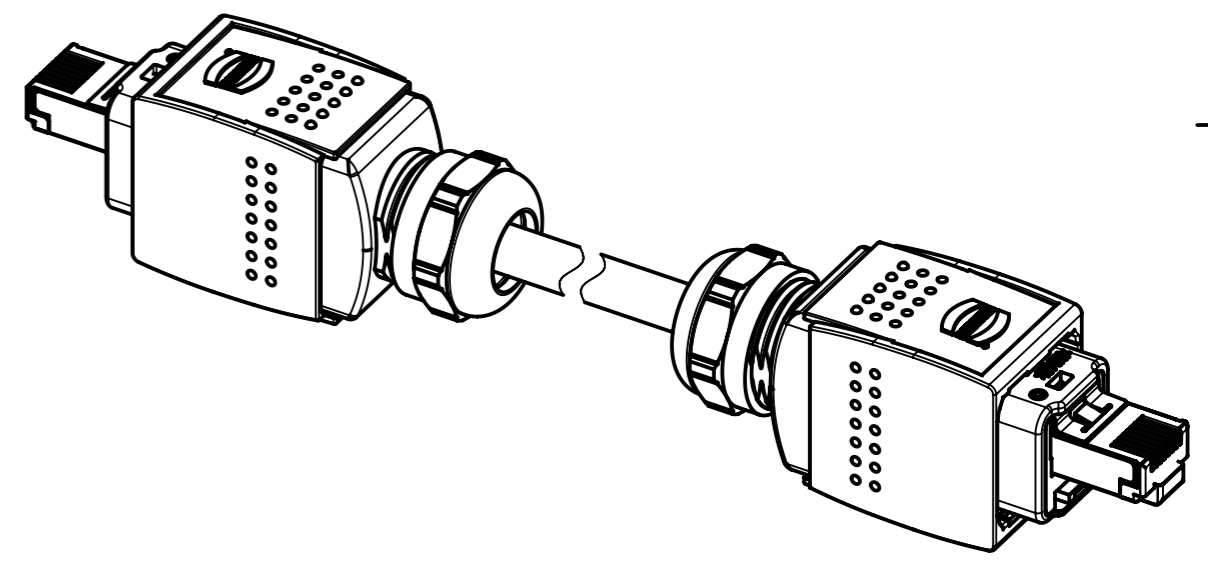
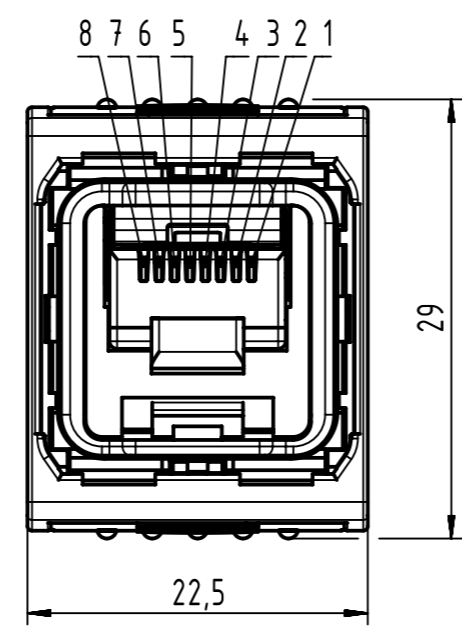
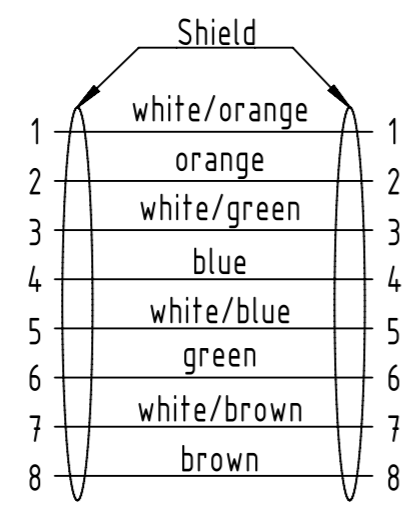


X
male

Y
male



Loading Plan
acc. to TIA/EIA 568B



7	09475858040	RJ45 Ethernet Stranded Cable, 4x2xAWG 26/7, PUR, Cat. 6A, yellow	40
6	09475858030		30
5	09475858005		20
4	09475858004		10
3	09475858003		5
2	09475858002		3
1	09475858001		1.5
Cont. no.	Part no.	Type of cable	Dim. a[m]

- Protection level: IP65/67
- Temperature range: -40°C ... +70°C

	All rights reserved	Created by BANCIUD Banciu	Inspected by COSTEA Costea	Standardisation MUNTEANV Muntean	Date 2019-06-27	State Final Release
	Department HCS - RO	Title RJ Industrial Cable Assembly		Doc-Key / ECM-Nr. 100200124/UGD/002/E 500000155834		
HARTING Customised Solutions D-32339 Espelkamp		Type TB	Number 094758580XX		Rev. E	Page 1/1