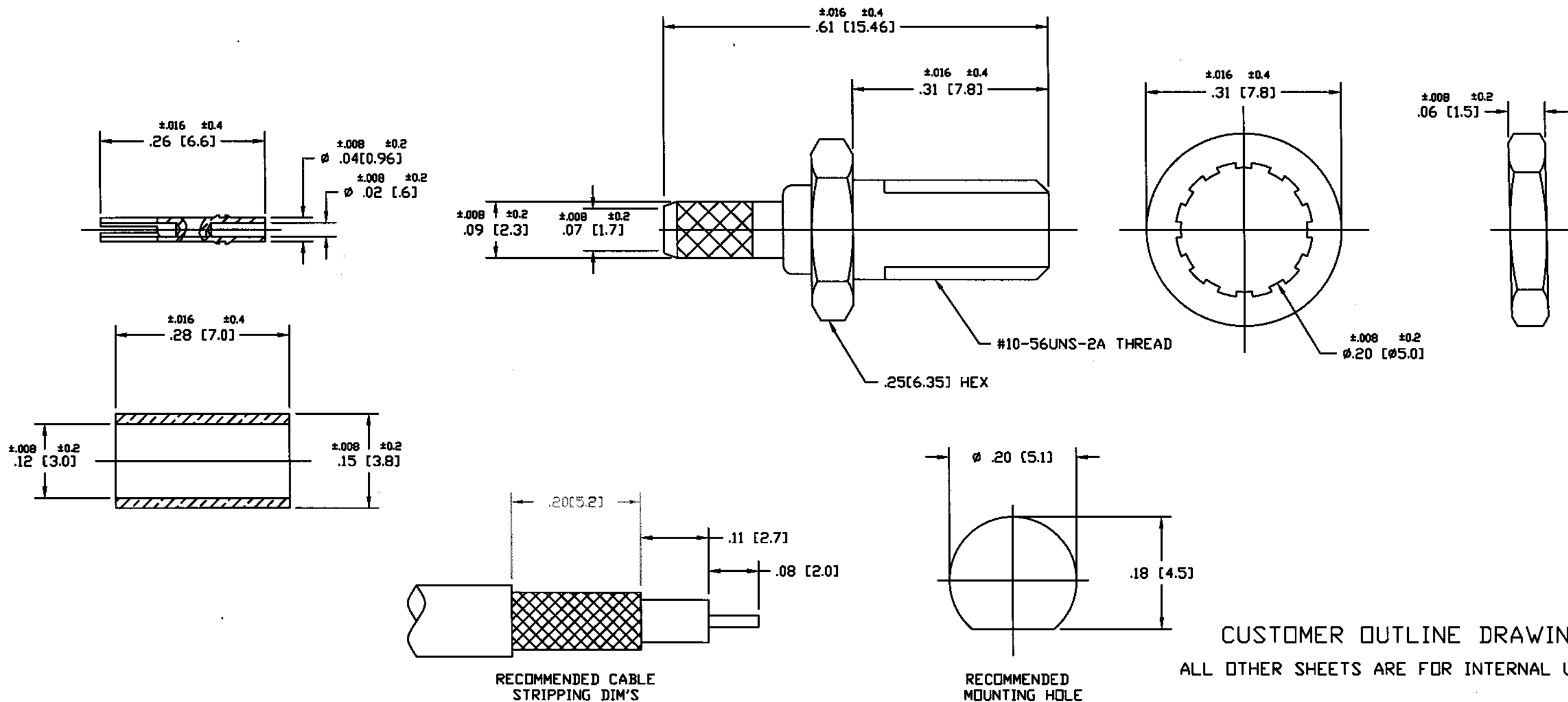


NOTES:

- MATERIALS OF CONSTRUCTION:
 BODY, HEX NUT & BARREL = BRASS (ASTM-B16 H02), GOLD PLATED (.00003 MIN THICK).
 CONTACT PIN = BERYLLIUM COPPER, GOLD PLATED (.000030 MIN THICK).
 LOCK WASHER = BRASS (QQ-B-613), GOLD PLATED (.00003 MIN THICK).
 FERRULE = COPPER, GOLD PLATED (.00003 MIN THICK).
 INSULATORS (2) = PTFE ASTM-D-1710 OR EQUIV.
- DO NOT SCALE THIS DRAWING.
- UNLESS OTHERWISE SPECIFIED, ALL DIMENSIONS ARE AFTER PLATING.
- CRIMPED FERRULE = HEX CRIMP SIZE .128

919-128J-51SX		REVISIONS			
DRAWING NO.	REV	DESCRIPTION	DATE	ECO	APPR
THIRD ANGLE PROJ.	A	RELEASE TO MFG.	7/29/99	43080	CPM/
	B	SEE SHEET 1	1-23-02	43947	CPM/



CUSTOMER OUTLINE DRAWING
 ALL OTHER SHEETS ARE FOR INTERNAL USE ONLY

UNLESS OTHERWISE SPECIFIED, DIMENSIONS ARE IN INCHES AND TOLERANCES ARE: 2 PLACE DECIMAL ± 0.015 (0,381 mm) 3 PLACE DECIMAL ± 0.005 (0,127 mm) ANGLES $\pm 1^\circ$	MATERIAL	DRAWN C. McGRATH	DATE 7/20/99	TITLE MCX BULKHEAD CRIMP JACK (FOR RG-174/U, 188A/U, 316/U)	Amphenol Amphenol Corporation RF/Microwave Operations Danbury, Conn. U.S.A. 06810	
	REFERENCE EAR 967292-0	ENGINEER T. AUBIN	DATE 7/20/99	APPROVED T. AUBIN		SCALE: 6:1
NOTICE - These drawings, specifications, or other data (1) are, and remain the property of Amphenol Corp. (2) must be returned upon request; and (3) are confidential and not to be disclosed to any person other than those to whom they are given by Amphenol Corp. The furnishing of these drawings, specifications, or other data by Amphenol Corp., or to any other person to anyone for any purpose is not to be regarded by implication or otherwise in any manner licensing, granting rights or permitting such holder or any other person to manufacture, use or sell any product, process or design, patented or otherwise, that may in any way be related to or disclosed by said drawings, specifications, or other data.		CAD FILE H:\PETE\MCX\919\ASSY\128J\51SX000C	CODE ID 74868	DWG SIZE B	DRAWING NO. 919-128J-51SX	ISSUE B