

Universal-Rundaluminium-Griffe UR

Werkstoff und Oberfläche:

Griffschenkel aus glaskugelverstärktem Polyamid PA 6, schwarz, ähnlich RAL 9005 oder aluminiumfarben, halbmatt mit Feinstruktur.

Griffsteg aus Rundaluminium AlMgSi 0,5; feingeschliffen und naturfarben oder schwarz eloxiert.

Anschraubeinsatz aus Messing.

Tragkraft:

min. 500 N.

Hinweis:

Beliebige Griff­längen und Ober­flächen­aus­führungen auf An­frage.

Universal Round Bar Aluminium Handles UR

Material and surface:

Handle shanks of glass ball reinforced polyamide PA 6, black, similar RAL 9005 or aluminium coloured, half-matt with fine structure.

Handle ledge of round bar aluminium AlMgSi 0.5; fine ground and anodized in natural or black colour.

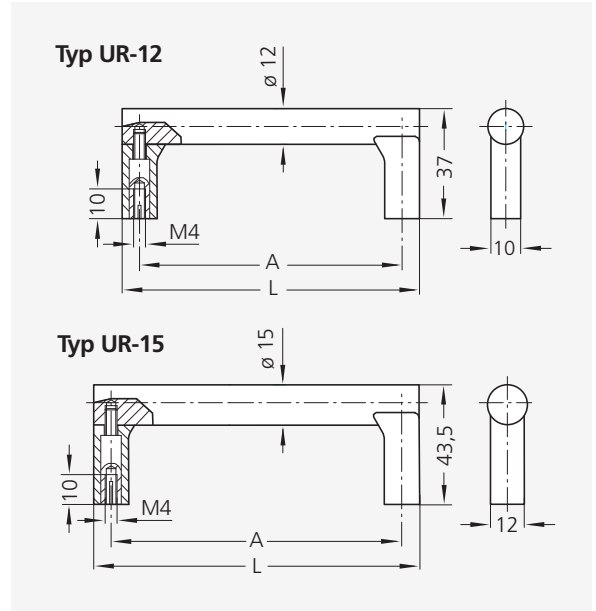
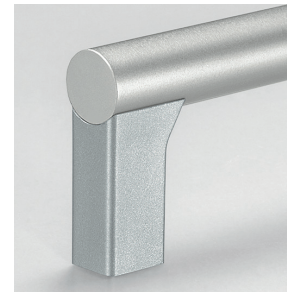
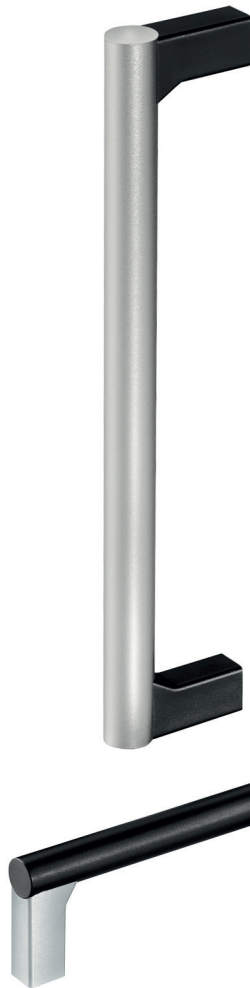
Screw down insert made of brass.

Stress resistance:

min. 500 N

Note:

Any other handle lengths and further colour combinations on request.



Typ UR-12

A	L	Schenkelfarbe Shank colour	Eloxalausführung des Griffstegs Anodized version of grip ledge	
			naturfarben natural colour	schwarz black
			Bestell-Nr. Order no.	Bestell-Nr. Order no.
55	67	aluminium / aluminium schwarz / black	UR-12.055.A01 UR-12.055.B01	UR-12.055.A04 UR-12.055.B04
88	100	aluminium / aluminium schwarz / black	UR-12.088.A01 UR-12.088.B01	UR-12.088.A04 UR-12.088.B04
100	112	aluminium / aluminium schwarz / black	UR-12.100.A01 UR-12.100.B01	UR-12.100.A04 UR-12.100.B04
120	132	aluminium / aluminium schwarz / black	UR-12.120.A01 UR-12.120.B01	UR-12.120.A04 UR-12.120.B04
180	192	aluminium / aluminium schwarz / black	UR-12.180.A01 UR-12.180.B01	UR-12.180.A04 UR-12.180.B04
200	212	aluminium / aluminium schwarz / black	UR-12.200.A01 UR-12.200.B01	UR-12.200.A04 UR-12.200.B04
235	247	aluminium / aluminium schwarz / black	UR-12.235.A01 UR-12.235.B01	UR-12.235.A04 UR-12.235.B04
250	262	aluminium / aluminium schwarz / black	UR-12.250.A01 UR-12.250.B01	UR-12.250.A04 UR-12.250.B04

Typ UR-15

55	70	aluminium / aluminium schwarz / black	UR-15.055.A01 UR-15.055.B01	UR-15.055.A04 UR-15.055.B04
88	103	aluminium / aluminium schwarz / black	UR-15.088.A01 UR-15.088.B01	UR-15.088.A04 UR-15.088.B04
100	115	aluminium / aluminium schwarz / black	UR-15.100.A01 UR-15.100.B01	UR-15.100.A04 UR-15.100.B04
120	135	aluminium / aluminium schwarz / black	UR-15.120.A01 UR-15.120.B01	UR-15.120.A04 UR-15.120.B04
180	195	aluminium / aluminium schwarz / black	UR-15.180.A01 UR-15.180.B01	UR-15.180.A04 UR-15.180.B04
200	215	aluminium / aluminium schwarz / black	UR-15.200.A01 UR-15.200.B01	UR-15.200.A04 UR-15.200.B04
235	250	aluminium / aluminium schwarz / black	UR-15.235.A01 UR-15.235.B01	UR-15.235.A04 UR-15.235.B04
250	265	aluminium / aluminium schwarz / black	UR-15.250.A01 UR-15.250.B01	UR-15.250.A04 UR-15.250.B04