

R10-E1Y4-J1.0K ✓ ACTIVE

Potter & Brumfield | Potter & Brumfield R10

TE Internal #: 4-1393766-8

Potter & Brumfield R10, Power Relays, Industrial Panel Plug-In, Monostable, DC, 150 – 200mW Coil Power Rating Class, 175mW Coil Power Rating DC

[View on TE.com >](#)



Relays, Contactors & Switches > Relays > Power Relays



Power Relay Type: **Industrial Panel Plug-In**

Coil Magnetic System: **Monostable, DC**

Coil Power Rating Class: **150 – 200 mW**

Coil Power Rating DC: **175 mW**

Coil Resistance: **1000 Ω**

Features

Product Type Features

Power Relay Type	Industrial Panel Plug-In
------------------	--------------------------

Electrical Characteristics

Insulation Initial Dielectric Between Coil & Contact Class	500 – 1000 V
Insulation Initial Dielectric Between Contacts & Coil	1000 Vrms
Actuating System	DC
Insulation Initial Dielectric Between Open Contacts	500 Vrms
Insulation Initial Dielectric Between Adjacent Contacts	1000 Vrms
Insulation Initial Resistance	10000 MΩ
Coil Magnetic System	Monostable, DC
Coil Power Rating Class	150 – 200 mW
Coil Power Rating DC	175 mW
Coil Resistance	1000 Ω
Coil Special Features	Sensitive Version
Contact Switching Load (Min)	100mA @ 12V
Contact Voltage Rating	120 VAC

Body Features

Product Weight	40 g[1.41 oz]
----------------	---------------

Contact Features



Contact Arrangement	4 Form C (CO)
Contact Current Class	2 – 5 A, 16 A
Contact Current Rating (Max)	3 A
Contact Material	Ag
Contact Number of Poles	4
Terminal Type	Plug-In, Solder

Mechanical Attachment

Relay Mounting Type	Socket
---------------------	--------

Dimensions

Length Class (Mechanical)	25 – 30 mm
Height Class (Mechanical)	30 – 40 mm
Width Class (Mechanical)	16 – 20 mm
Product Width	18.7 mm[.736 in]
Product Length	29.6 mm[1.165 in]
Product Height	30.2 mm[1.189 in]

Usage Conditions

Environmental Ambient Temperature Class	70 – 85 °C
Environmental Ambient Temperature (Max)	75 °C[167 °F]
Operating Temperature Range	-55 – 75 °C

Packaging Features

Packaging Method	Package
------------------	---------

Product Compliance

For compliance documentation, visit the product page on [TE.com](https://www.te.com)>

EU RoHS Directive 2011/65/EU	Compliant with Exemptions
EU ELV Directive 2000/53/EC	Compliant with Exemptions
China RoHS 2 Directive MIIT Order No 32, 2016	Restricted Materials Above Threshold
EU REACH Regulation (EC) No. 1907/2006	Current ECHA Candidate List: JAN 2021 (211) Candidate List Declared Against: JAN 2021 (211) SVHC > Threshold: Pb (3.7% in Component part)

Article Safe Usage Statements:

Do not eat, drink or smoke when using this product. Wash thoroughly after handling. Recycle if possible and dispose of the article by following all applicable governmental regulations relevant to your geographic location.

Halogen Content

Not Yet Reviewed for halogen content

Solder Process Capability

Not applicable for solder process capability

Product Compliance Disclaimer

This information is provided based on reasonable inquiry of our suppliers and represents our current actual knowledge based on the information they provided. This information is subject to change. The part numbers that TE has identified as EU RoHS compliant have a maximum concentration of 0.1% by weight in homogenous materials for lead, hexavalent chromium, mercury, PBB, PBDE, DBP, BBP, DEHP, DIBP, and 0.01% for cadmium, or qualify for an exemption to these limits as defined in the Annexes of Directive 2011/65/EU (RoHS2). Finished electrical and electronic equipment products will be CE marked as required by Directive 2011/65/EU. Components may not be CE marked. Additionally, the part numbers that TE has identified as EU ELV compliant have a maximum concentration of 0.1% by weight in homogenous materials for lead, hexavalent chromium, and mercury, and 0.01% for cadmium, or qualify for an exemption to these limits as defined in the Annexes of Directive 2000/53/EC (ELV). Regarding the REACH Regulation, the information TE provides on SVHC in articles for this part number is based on the latest European Chemicals Agency (ECHA) 'Guidance on requirements for substances in articles' posted at this URL: <https://echa.europa.eu/guidance-documents/guidance-on-reach>

Compatible Parts



TE Part # 1-1393143-2
27E129=SOCKET,R10,16,PC,PHEN



TE Part # 1393837-1
27E460=SOCKET,R10,,ASSY,2 POLE



TE Part # 1393143-9
27E126=SOCKET,R10,16,SLG,PHE



TE Part # 1-1393143-5
27E152=SOCKET,R10,ASSY,W/BRK



TE Part # 2-1393143-2
27E194=SOCKET,R10,16,PC,PHEN



TE Part # 2-1393143-5
27E213=SOCKET,R10,16,PC,PHEN



TE Part # 4-1393143-4
27E461=SOCKETS



TE Part # 4-1393143-8
27E629=SOCKETS

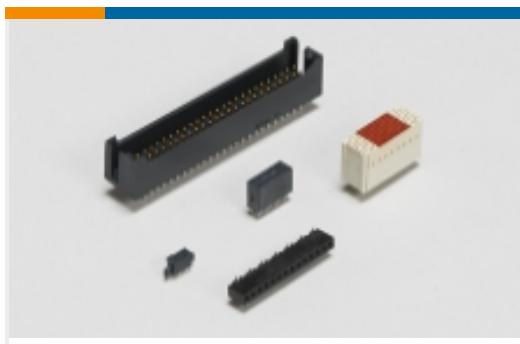


TE Part # 5-1393143-1
27E637=SOCKETS

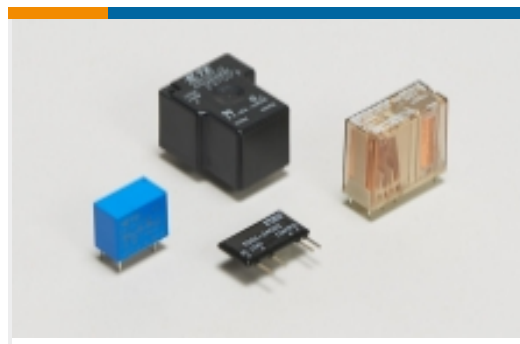


TE Part # 4-1393143-2
27E447=SOCKETS

Also in the Series | **Potter & Brumfield R10**



Board-to-Board Headers & Receptacles(1)



Power Relays(180)



Relay Accessories, Sockets & Clips(34)

Customers Also Bought



TE Part #1-2823449-4
M12 STRAIGHT CRIMPED STRAIN RELIEF



TE Part #1340650001
TMS-SCE MILITARY GRADE SLEEVES



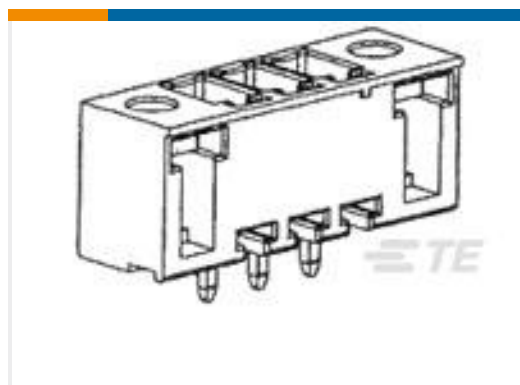
TE Part #327286
AMPOWER TERMINAL 2 STUD HOLES



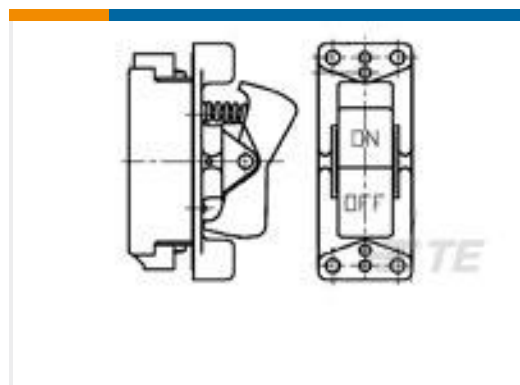
TE Part #325300
AMPOWER TERMINAL WO STUD HOLE



TE Part #328178
AMPOWER TERMINAL 1 STUD HOLE



TE Part #1-284519-2
12P TERMIBLOK HDR DIR VITI



TE Part #1520238-1
8630K50=8 AMP ROCKER



TE Part #547707-000
B-152-09



TE Part #ZPF000000000018226
FDBA 50-16-21 SN-K



TE Part #2-1879683-8
H8 205R 0.1% 50PPM

Documents

[CAD Files](#)

[3D PDF](#)

[3D](#)

[Customer View Model](#)

[ENG_CVM_CVM_4-1393766-8_A.2d_dxf.zip](#)

English

[Customer View Model](#)

[ENG_CVM_CVM_4-1393766-8_A.3d_igs.zip](#)



English

Customer View Model

[ENG_CVM_CVM_4-1393766-8_A.3d_stp.zip](#)

English

By downloading the CAD file I accept and agree to the [Terms and Conditions](#) of use.

Datasheets & Catalog Pages

[R10 General Purpose Dry Circuit to 7.5 Amp Multicontact AC or DC Relay](#)

English

[Industrial Relays Quick Reference Guide](#)

English

[Industrial Relays Quick Reference Guide](#)

Japanese

[Industrial Relays Quick Reference Guide](#)

Product Specifications

[Definitions, Handling, Processing, Testing and Use of Relays](#)

English