

**FCJJ-35**



**+ ADD-ON**

**FCJJ-24**

**HORIZON ENERGY MONITOR**

This ideal accessory to FCJJ-35 feeds live experiment data to your PC to be displayed as graphical data.

## Product Description

The Super Capacitor Science Kit introduces students to the extraordinary storage and power potential of the super capacitor. Create energy from the hand crank and monitor energy storage with a charge level indicator. Then demonstrate the energy density and power of the super capacitor by running a small fan module. With super capacitors an integral part of the automotive revolution currently changing the way we think about transport, this is the ideal kit to explore the principles of high density energy storage.

## Features

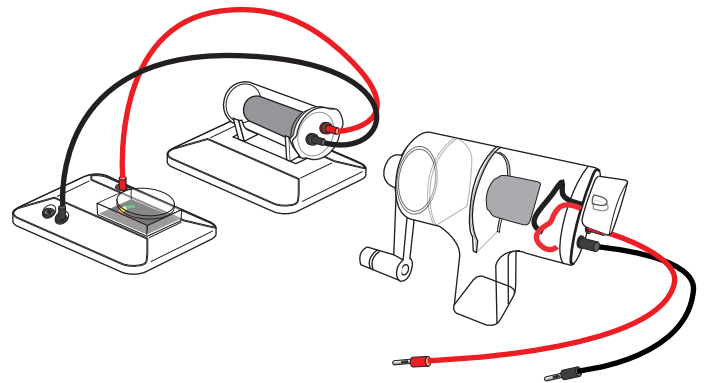


- ✓ Features hand crank, super capacitor, charge level indicator and load
- ✓ Super capacitor can be charged by hand crank, then used to power load
- ✓ Level indicator shows charge level of the super capacitor
- ✓ Comes with CD, experiments and curriculum

## Language Pack

- ✓ Assembly Guide :
- ✓ Technical Support Guide:

## Experiments & Activities



- ✓ **Mechanical / electrical energy experiments**
1. Explore the concept of hand crank energy generation
  2. Explore the concept of super capacitor energy storage
  3. Power a fan with electrical energy from the super capacitor
  4. Power a fan with mechanical energy from the hand crank



## Kit Content

- ✓ Hand crank generator
- ✓ Potentiometer
- ✓ Super capacitor
- ✓ Fan module
- ✓ Fan blade
- ✓ Capacitor base
- ✓ Capacitor support
- ✓ Wires
- ✓ Renewable Energy Curriculum CD

## Certification

ROHS, EN71:PART1;PART2;PART3, EN62115,  
 PHTH-EU, ASTM F963, CPSIA-LEAD,  
 CPSIA-PHTHALATES, REACH, CA.

\*All the information in this datasheet is subject to change without notice.  
 In case of doubt please contact the Horizon sales team.

## Packing Information

<b>Case Pack Quantity</b> (units):	1
<b>Master Pack Quantity</b> (units):	12
<b>Packaging Type:</b>	cardboard
<b>20' Container</b> (units):	3275
<b>40' Container</b> (units):	6680
<b>Unit Box Length</b> (cm/in):	30 / 11.81
<b>Unit Box Width</b> (cm/in):	21 / 8.27
<b>Unit Box Height</b> (cm/in):	9.7 / 3.82
<b>Unit Volume</b> (Litres/Cubic Meters):	6.1 / 0.006
<b>Unit Box Weight</b> (kg/lbs):	0.59 / 1.30
<b>Case Pack Length</b> (cm/in):	63 / 24.80
<b>Case Pack Width</b> (cm/in):	44 / 17.32
<b>Case Pack Height</b> (cm/in):	35 / 13.78
<b>Case Pack Volume</b> Litres/Cubic Meters):	97.0 / 0.097
<b>Case Pack Weight</b> (kg/lbs):	7 / 15.43

\*The cartons' size may vary between  $\pm 1-2$  cm.

## Logistics Information

<b>Item UPC-Code:</b>	6942503405231
<b>Item HS-Code:</b>	-
<b>Manufactured in:</b>	Shanghai, China
<b>Local Warehouse</b>	Prague, Czech Republic
<b>FOB Harbor:</b>	Los Angeles, USA
<b>First Ship Date:</b>	available now
<b>Minimum Order:</b>	12