

926330-1 ✓ ACTIVE

[Positive Lock](#) | [Positive Lock 250](#)

TE Internal #: 926330-1

Positive Lock 250, Crimp Terminal Housings, Receptacle,
Receptacle, 6 Position, Straight, UL 94V-0, Black Crimp Terminal
Housing Housing Color

[View on TE.com >](#)



Terminals & Splices > Terminal Housings, Insulation Sleeves & Blocks > Crimp Terminal Housings



Terminal & Splice Type: **Receptacle**

Housing Type: **Receptacle**

Number of Crimp Terminal Housing Positions: **6**

Crimp Terminal Housing Terminal Orientation: **Straight**

Crimp Terminal Housing UL Flammability Rating: **UL 94V-0**

Features

Product Type Features

Product Type	Terminal Housing
Housing Type	Receptacle
Sealable	No
Insulated	No

Configuration Features

Number of Crimp Terminal Housing Positions	6
--	---

Body Features

Crimp Terminal Housing Housing Color	Black
Crimp Terminal Housing Mating Retention	Without
Crimp Terminal Housing Mating Alignment	With

Contact Features

Terminal & Splice Type	Receptacle
Crimp Terminal Housing Terminal Orientation	Straight



Mechanical Attachment

Mating Alignment Type	Polarization
Crimp Terminal Housing Mounting Style	Cable Mount (Free-Hanging)

Housing Features

Crimp Terminal Housing Housing Material	Polyamide 6.6 GF
---	------------------

Dimensions

Crimp Terminal Housing Centerline	9.1 mm[.358 in]
-----------------------------------	-----------------

Usage Conditions

Operating Temperature Range	-40 – 105 °C[-40 – 221 °F]
-----------------------------	----------------------------

Industry Standards

Crimp Terminal Housing UL Flammability Rating	UL 94V-0
---	----------

Packaging Features

Packaging Quantity	1000
Crimp Terminal Housing Packaging Method	Carton

Product Compliance

[For compliance documentation, visit the product page on TE.com>](#)

EU RoHS Directive 2011/65/EU	Compliant
EU ELV Directive 2000/53/EC	Compliant
China RoHS 2 Directive MIIT Order No 32, 2016	No Restricted Materials Above Threshold
EU REACH Regulation (EC) No. 1907/2006	Current ECHA Candidate List: JAN 2021 (211) Candidate List Declared Against: JAN 2021 (211) Does not contain REACH SVHC
Halogen Content	Low Halogen - Br, Cl, F, I < 900 ppm per homogenous material. Also BFR/CFR/PVC Free
Solder Process Capability	Not applicable for solder process capability

Product Compliance Disclaimer

This information is provided based on reasonable inquiry of our suppliers and represents our current actual knowledge based on the information they provided. This information is subject to change. The part numbers that TE has identified as EU RoHS compliant have a maximum concentration of 0.1% by weight in homogenous materials for lead, hexavalent chromium, mercury, PBB, PBDE, DBP, BBP, DEHP, DIBP, and 0.01% for cadmium, or qualify for an exemption to these limits as defined in the Annexes of Directive 2011/65/EU (RoHS2). Finished electrical and electronic equipment products will be CE marked as required by Directive 2011/65/EU. Components may not be CE marked. Additionally, the part numbers that TE has identified as EU ELV compliant have a maximum concentration of 0.1% by weight in homogenous

materials for lead, hexavalent chromium, and mercury, and 0.01% for cadmium, or qualify for an exemption to these limits as defined in the Annexes of Directive 2000/53/EC (ELV). Regarding the REACH Regulation, the information TE provides on SVHC in articles for this part number is based on the latest European Chemicals Agency (ECHA) 'Guidance on requirements for substances in articles' posted at this URL: <https://echa.europa.eu/guidance-documents/guidance-on-reach>

Compatible Parts



Also in the Series | [Positive Lock 250](#)



Automotive Terminals(1)



Crimp Terminal Housings(203)



Insertion & Extraction Tools(3)



Insulation Boots & Sleeves(6)



Quick Disconnects(189)

Customers Also Bought



TE Part #1443996-4
COVER, 60 POS, W/O FUSE HLD/NO
EXT TEXT



TE Part #1445336-2
LOOSE PC CONTACT 15 AU PLATED



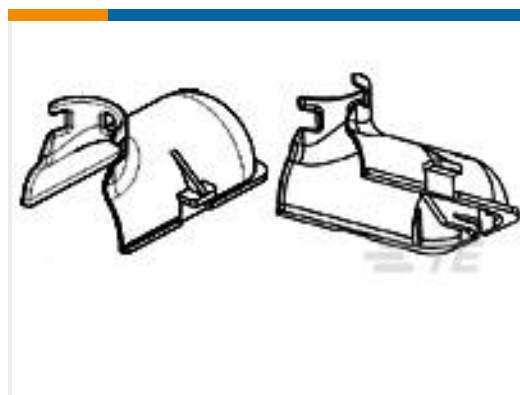
TE Part #130128
SOLIS R 16-14 M5



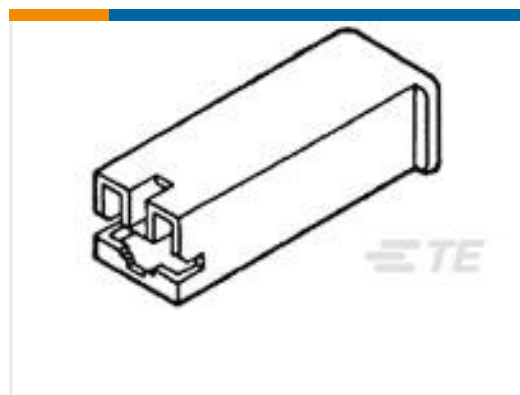
TE Part #HD17-9-1939S
DEUTSCH HD10 HOUSINGS



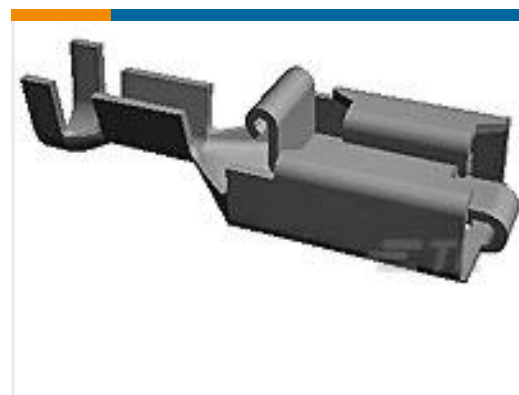
TE Part #1355469-1
TIMER, CONNECTOR HOUSING



TE Part #1394908-3
SHIELD, 180 DEG., 60POSN. RECE



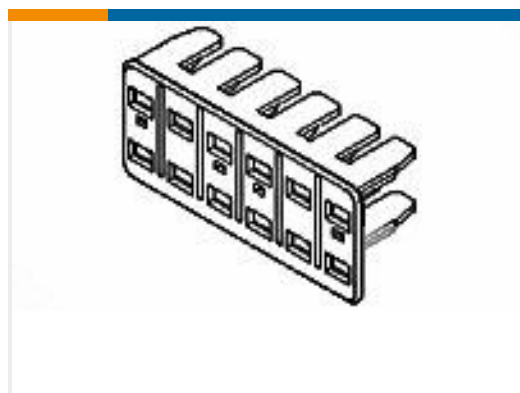
TE Part #172076-2
PL MKII 250 REC HSG 1P NYLON
BLACK



TE Part #154718-3
PL 250 REC 0.7-2.0 MM2 0.406 TPBR



TE Part #160655-4
FF 110 REC TERMINAL 20-15 AWG
PTPPB



TE Part #184058-1
12 POS. PLUG DLP

Documents



Product Drawings

PL 250 REC HSG 6P NYLON BLACK

English

CAD Files

3D PDF

3D

Customer View Model

ENG_CVM_CVM_926330-1_F.2d_dxf.zip

English

Customer View Model

ENG_CVM_CVM_926330-1_F.3d_igs.zip

English

Customer View Model

ENG_CVM_CVM_926330-1_F.3d_stp.zip

English

By downloading the CAD file I accept and agree to the [Terms and Conditions](#) of use.

Product Environmental Compliance

Product Compliance

English

Product Compliance

English

Agency Approvals

UL Report

English