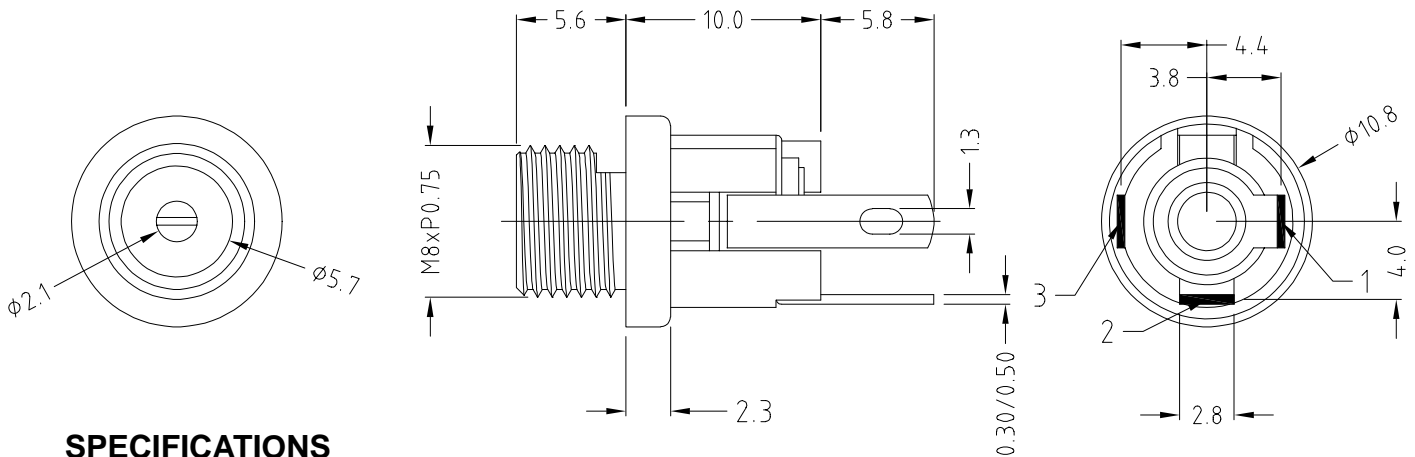
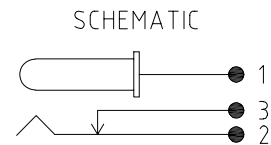
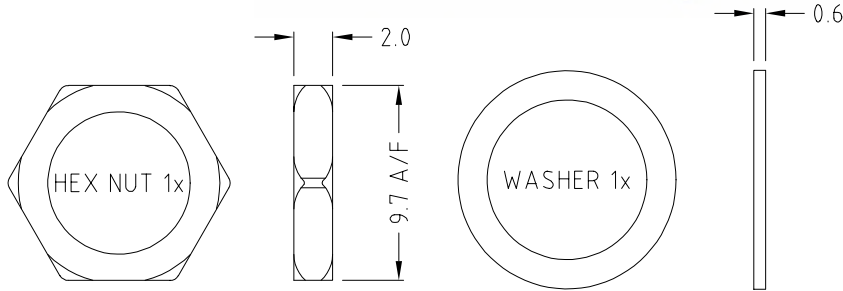




2.1mm DC PANEL SOCKET



SPECIFICATIONS

- 1) Contact Resistance: 30mΩ max
- 2) Insulation Resistance: 100MΩ min
- 3) Withstand Voltage: AC500V
- 4) Life: +5000 Cycles
- 5) Insertion / Extraction Force: 3-30N
- 6) Current Rating: 30V 3A.

VARIANTS

- FC681521** - 2.1mm DC Panel Socket. Supplied unassembled
- FC681521A** - 2.1mm DC Panel Socket. Supplied assembled