



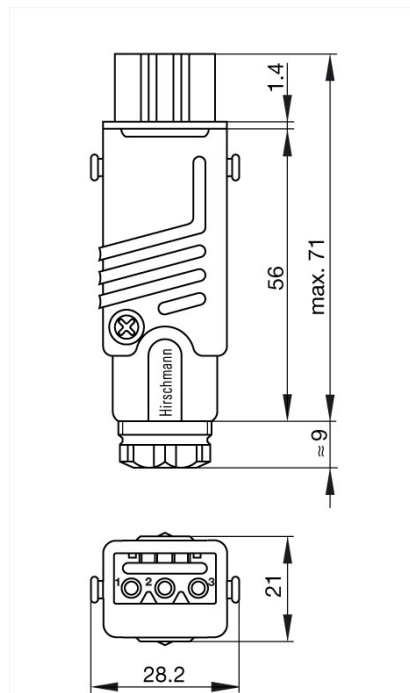
## STAK 3 N schwarz/black

Industrial Connectors:Rectangular connectors ST-series:Cable socket

### Product description

|                      |                                 |
|----------------------|---------------------------------|
| Description          | Cable socket with strain relief |
| Type                 | STAK 3 N schwarz/black          |
| Order No.            | 932 140-100                     |
| Type of contact      | female                          |
| Number of contacts   | 3 + PE                          |
| Cable gland          | PG 11                           |
| Cable diameter       | 6 mm to 10 mm                   |
| Conductor size       | max. 1.5 mm <sup>2</sup>        |
| Housing Color        | black                           |
| Contact bearer color | black                           |

### Drawing



### Technical data

|                     |                     |
|---------------------|---------------------|
| Pin dimensions      | 2 mm                |
| Rated voltage       | AC 400 V / DC 250 V |
| Rated current       | DC 10 A / AC 16 A   |
| Contact resistance  | ≤ 5 mOhm            |
| Type of termination | screw               |

### Material

|                  |       |
|------------------|-------|
| Contact material | Cu Zn |
|------------------|-------|

|  |   |
|--|---|
| Contact surface material                 | Sn  |
| Contact bearer material                  | PA  |
| Housing material                         | PA  |
| <b>Environmental conditions</b>          |   |
| Protection class (IEC 60529)             | IP 54   |
| Pollution severity                       | 3   |
| Temperature range                        | -30 °C to +90 °C                                  |
| <b>Inflammability class</b>              |   |
| Housing                                  | UL 94 HB  |
| Contact bearer                           | UL 94 V-0   |
| <b>Approvals</b>                         |   |
| UL                                       | UL  |
| VDE                                      | VDE   |
| SEV                                      | SEV   |
| <b>Packing unit</b>                      |   |
| Packaging unit                           | 100 pieces  |
| <b>Scope of delivery and accessories</b> |   |
| Accessories to order separately          | safety brackets STASI 3,<br>order no. 732 045-001 |