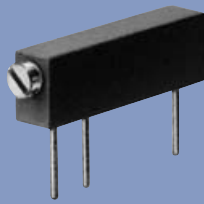


**Trimmers
Cermet
absolut**

Series TC171R-3A -
TC275-2A

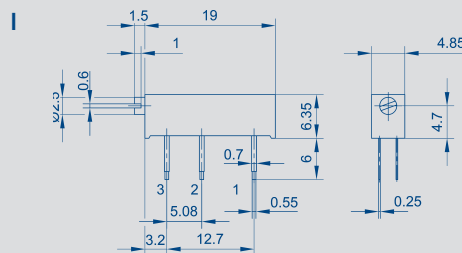
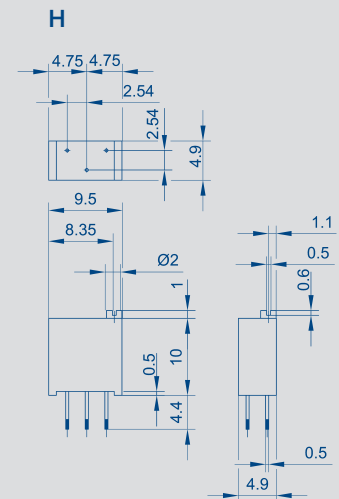
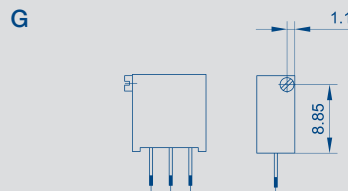
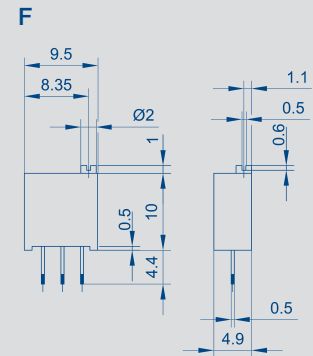
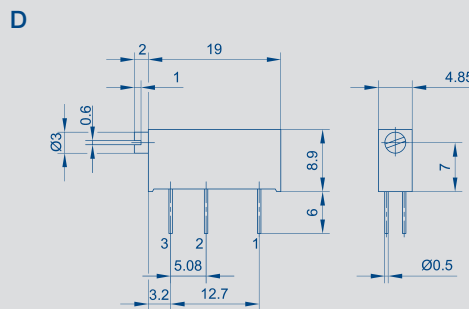


Special features

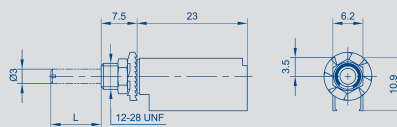
- flow solderable
- power rating up to 0.75 W
- protection class IP67
- very high resolution

Trimmers for adjusting electronic circuits and assemblies.

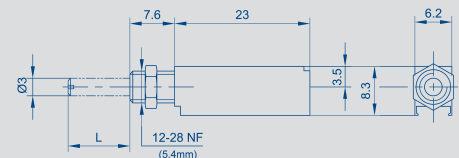
The careful selection of the materials and high quality of the components used ensure a constant and high level of quality throughout the entire service life of the angle sensor.



Adapter ZT AD 71



Adapter ZT AD 270



Adapter ZT UL 270



Adapter ZT G 270



Description

Housing	high quality, temperature consistent plastic
Setting screw	brass, nickel plated
Resistance element	Metalloxyd ceramics (Cermet)
Wiper assembly	precious metal

Novotechnik Stiftung & Co.
 Messwertaufnehmer OHG
 Postfach 4220
 73745 Ostfildern (Ruit)
 Horbstraße 12
 73760 Ostfildern (Ruit)
 Telefon +49 (0) 711/44 89-0
 Telefax +49 (0) 711/44 89-150
 www.novotechnik.de
 info@novotechnik.de

© 07/2002
 Art.-Nr.: 062 735/2
 Printed in Germany

Type designations	TC171R-3A	TC175R-3A	TC183-3A	TC183-3B	TC183-3E	TC270-2A	TC275-2A	
Mechanical Data								
Dimensions	drawing D	drawing D	drawing F	drawing G	drawing H	drawing I	drawing I	
Size	19 mm	19 mm	RJ24	RJ24	RJ24	19 mm	19 mm	
Spindle turns	18 ±1	18 ±1	25 ±2	25 ±2	25 ±2	18 ±1	18 ±1	turns
Connections	gold plated	gold plated	silver plated	silver plated	silver plated	tin plated	tin plated	
Housing	Thermoplast	Thermoplast transparent CKW-resistant	Thermoplast	Thermoplast	Thermoplast	Thermoplast transparent	Thermoplast transparent CKW-resistant	
Weight	1.3	1.3	0.8	0.8	0.8	1.0	1.0	g
Electrical Data								
Power rating	0.75/40°C	0.75/85°C	0.5/70°C	0.5/70°C	0.5/70°C	0.75/40°C	0.75/40°C	W
Available resistance values	100 - 2 x 10 ⁶							Ω
Resistance tolerance	± 10							%
Maximum end-resistance	1 (≥ 2Ω)							%
Temperature coefficient of the resistance	100							ppm/K
Independent linearity	± 5							%
Max. permissible applied voltage	$U_{max} = \sqrt{\text{(power rating x resistance value)}}$							V
Max. contact resistance CRV	≤ 3							%
Max. wiper current in case of malfunction	50							mA
Insulation resistance (500 VDC, 1 bar, 2 s)	≥ 10 000							MΩ
Dielectric strength (DC, 1 min)	900							V
Environmental Data								
Temperature range	-55...+125							°C
Vibration	30...2000 $A_{max} = 0.75$ $a_{max} = 10$							Hz mm g
Life	400							movements
Shock (DIN IEC68T2-27)	50							g
	7							ms
Protection class (DIN 40050)	IP67							

Order designations (Example)

Series	R in Ω
TC 171R-3A	100K e.g. 100R = 100Ω 10K = 10kΩ 1M = 1MΩ

Order designations / Abbreviations

2A: connecting solder pin square
 3A...3E: connecting solder pin round

Recommended accessories

Adapter ZT AD 71
 for trimmer TC170...TC176,
 Adapter ZT AD 270
 for trimmer TC270...TC275,
 Washer ZT UL 270
 for trimmer TC270...TC275,
 Adapter ZT G 270
 for trimmer TC270...TC275
 (vertical setting),
 for extension of above
 adapters L 0 mm; L 7 mm;
 L 14 mm

Subject to changes