

IR.302 | Fold-away handles

Duroplast



MATERIAL

Phenolic based (PF) Duroplast handle, black colour, glossy finish.

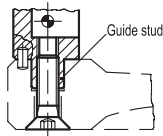
STANDARD EXECUTIONS

- **IR.302:** black-oxide steel double guide pin, sintered and oxidised steel base with guide stud, black-oxide steel screw.
- **IR.302-SST:** AISI 303 stainless steel double guide pin, sintered AISI 303 stainless steel base with guide stud, AISI 303 stainless steel screw.

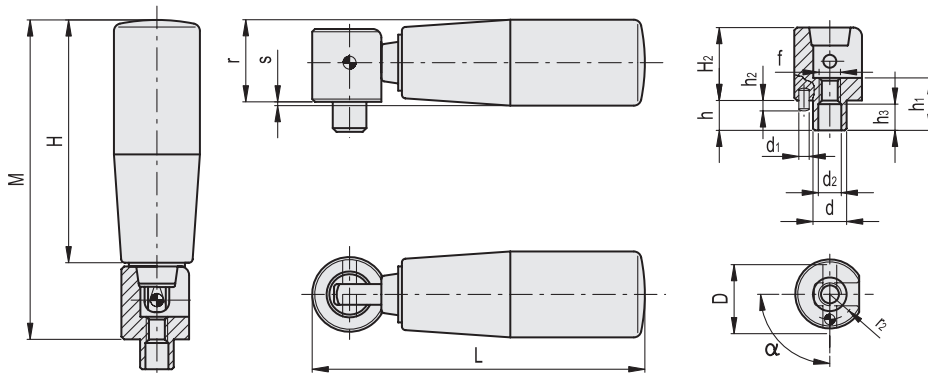
FEATURES AND APPLICATIONS

Handle pivots freely during operation: a system of coaxial bushings compensates return spring load. This series of fold-away handles has been designed for all those applications for which, owing to lack of space or for safety reasons, the handle must be folded-away once the operation has been completed.

Normal assembly example with protruding base



ELESA Original design



IR.302

Code	Description	H	D	L	M	d-0.1	H2	h	r	s	f	d2	h1	h3	d1	h2-0.2	r2	α	⚖️
27501	IR.302/56	56	16	74	71	7	15	4	19	2.5	M4	-	9	-	3	3	5.5	90°	72
27601	IR.302/65	65	20	89	85	9	19.5	8	22	1	M6	6.2	14	7	3	3	7	90°	115
27701	IR.302/80	80	20	104	100	9	19.5	8	24	2.5	M6	6.2	14	7	3	3	7	90°	135
27801	IR.302/90	90	26	118	113	13.4	23	7.5	27	1	M6	-	14.5	-	3	3	9.5	90°	215

IR.302-SST



Code	Description	H	D	L	M	d-0.1	H2	h	r	s	f	d2	h1	h3	d1	h2-0.2	r2	α	⚖️
27511	IR.302/56-SST	56	16	74	71	7	15	4	19	2.5	M4	-	9	-	3	3	5.5	90°	72
27611	IR.302/65-SST	65	20	89	85	9	19.5	8	22	1	M6	6.2	14	7	3	3	7	90°	115
27711	IR.302/80-SST	80	20	104	100	9	19.5	8	24	2.5	M6	6.2	14	7	3	3	7	90°	135
27811	IR.302/90-SST	90	26	118	113	13.4	23	7.5	27	1	M6	-	14.5	-	3	3	9.5	90°	215

