



Simon Rack

SINCE 1964 - MANUFACTURER



220 x 110 x 50 cm*

78.7" x 43.3" x 19.7"



COMFORT SUPERPLUS 5/500 ANTRACITA/BLANCO



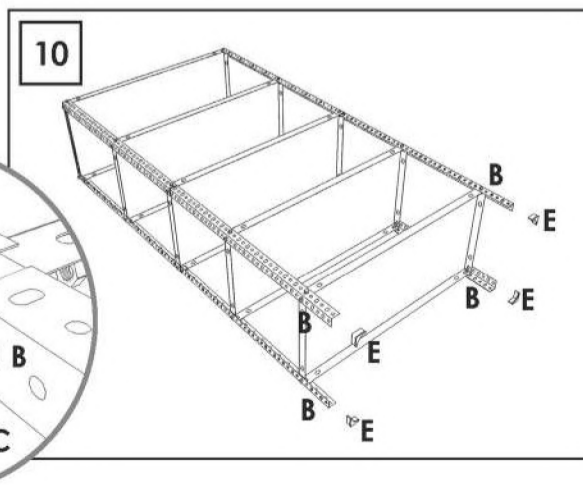
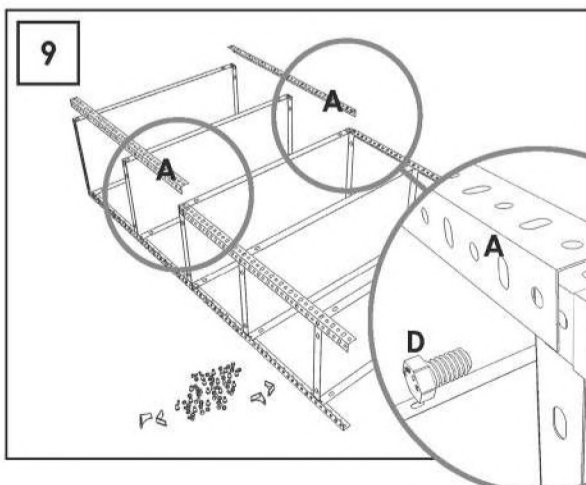
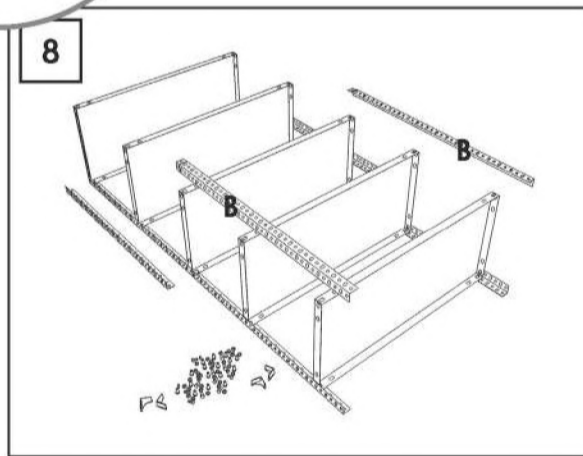
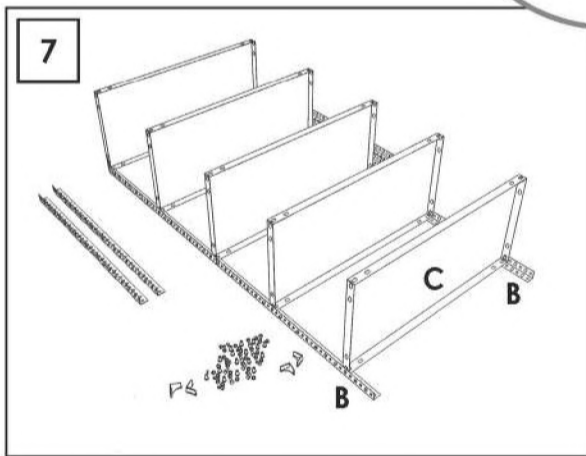
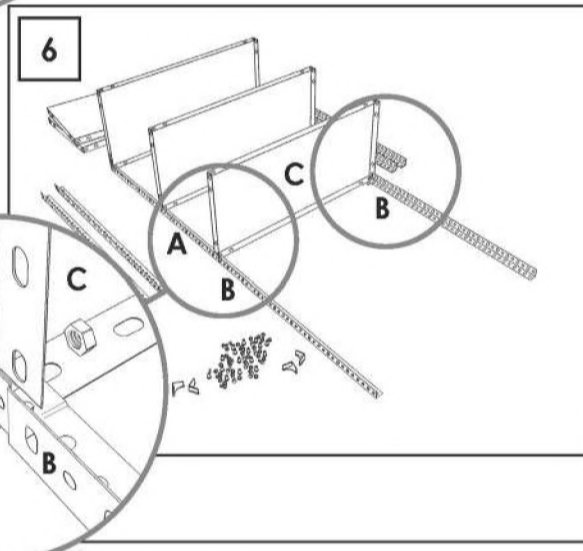
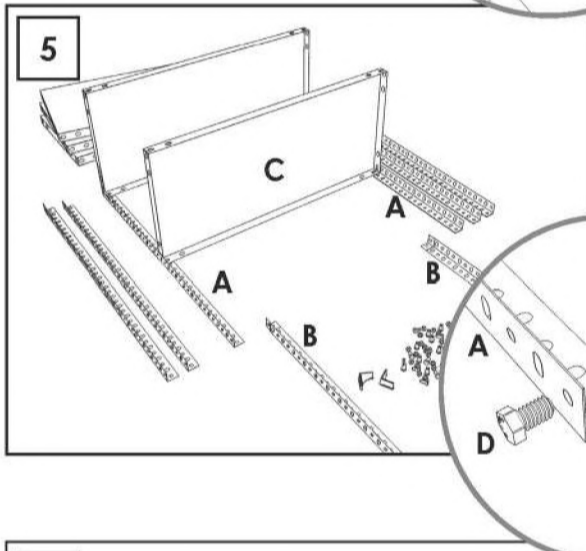
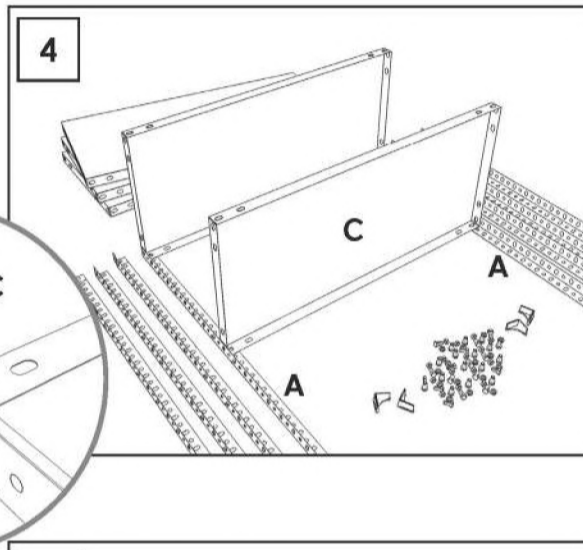
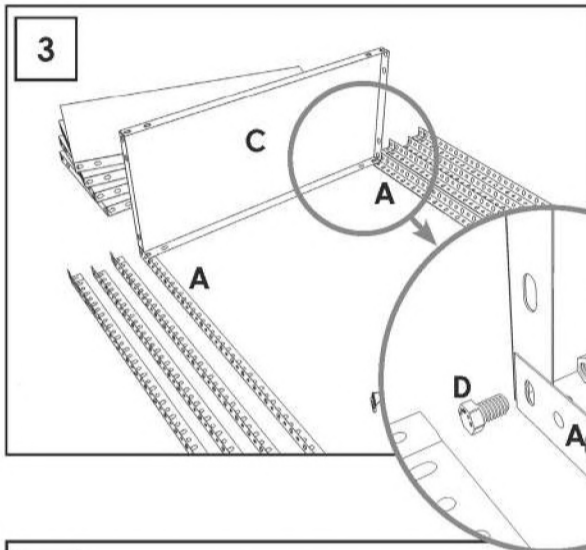
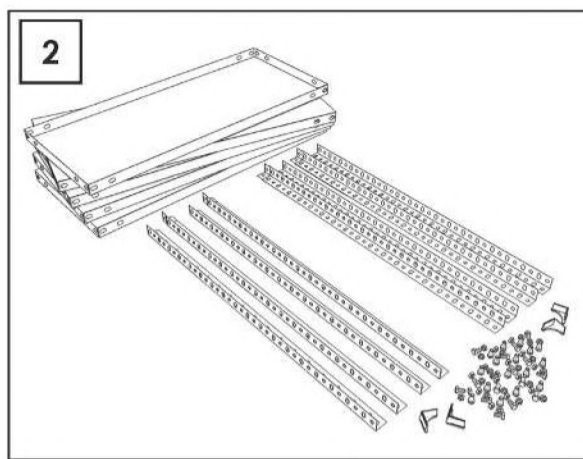
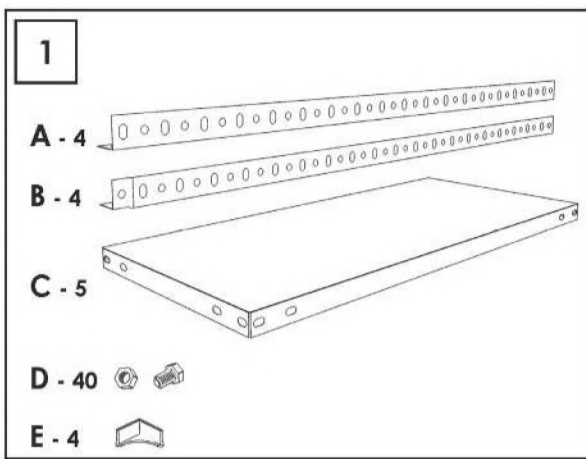
*MEDIDAS EN USO
USED MEASUREMENTS • MASSNAHMEN IM EINSATZ
MESURES EN EMPLOI • MEDIDAS EM USO:

2000x1100x510 mm
78.7" x 43.7" x 20.1"



ESTANTERIAS SIMON S.L. B.50.556.463
PG. ALFAMEN C/ POLIGONO C, N°3
ALFAMEN (ZARAGOZA)

INSTRUCCIONES
INSTRUCTIONS
ANLEITUNGS
INSTRUÇÕES



www.simonrack.com • www.simonrack.com • www.simonrack.com • www.simonrack.com • www.simonrack.com • www.simonrack.com • www.simonrack.com • www.simonrack.com • www.simonrack.com • www.simonrack.com • www.simonrack.com • www.simonrack.com

SIMONCLASSIC

BOLTS SYSTEM

Up to: **150 Kg (331 lb)**
Uniformly Distributed Load

SIMONCLICK

NO BOLTS SYSTEM

Up to: **400 Kg (882 lb)**
Uniformly Distributed Load

SIMONOFFICE

NO BOLTS SYSTEM

Up to: **275 Kg (606 lb)**
Uniformly Distributed Load

SIMONTALLER

NO BOLTS SYSTEM

Up to: **700 Kg (1543 lb)**
Uniformly Distributed Load

BANCOS DE TRABAJO WORK BENCHES

Up to: **800 Kg (1764 lb)**
Uniformly Distributed Load

SIMONHOME

Up to: **150 Kg (331 lb)**
Uniformly Distributed Load

TAQUILLAS LOCKER



SIMONTITÁN

NO BOLTS SYSTEM

Up to: **900 Kg (1984 lb)**
Uniformly Distributed Load

SIMONINOX

NO BOLTS SYSTEM

SIMONPALET

Up to: **4500 Kg (9921 lb)**
Uniformly Distributed Load

SIMONLEVER

ALTILLOS Y PASILLOS ELEVADOS PLATFORMS AND MEZZANINES

