

100 x 90 x 30 cm

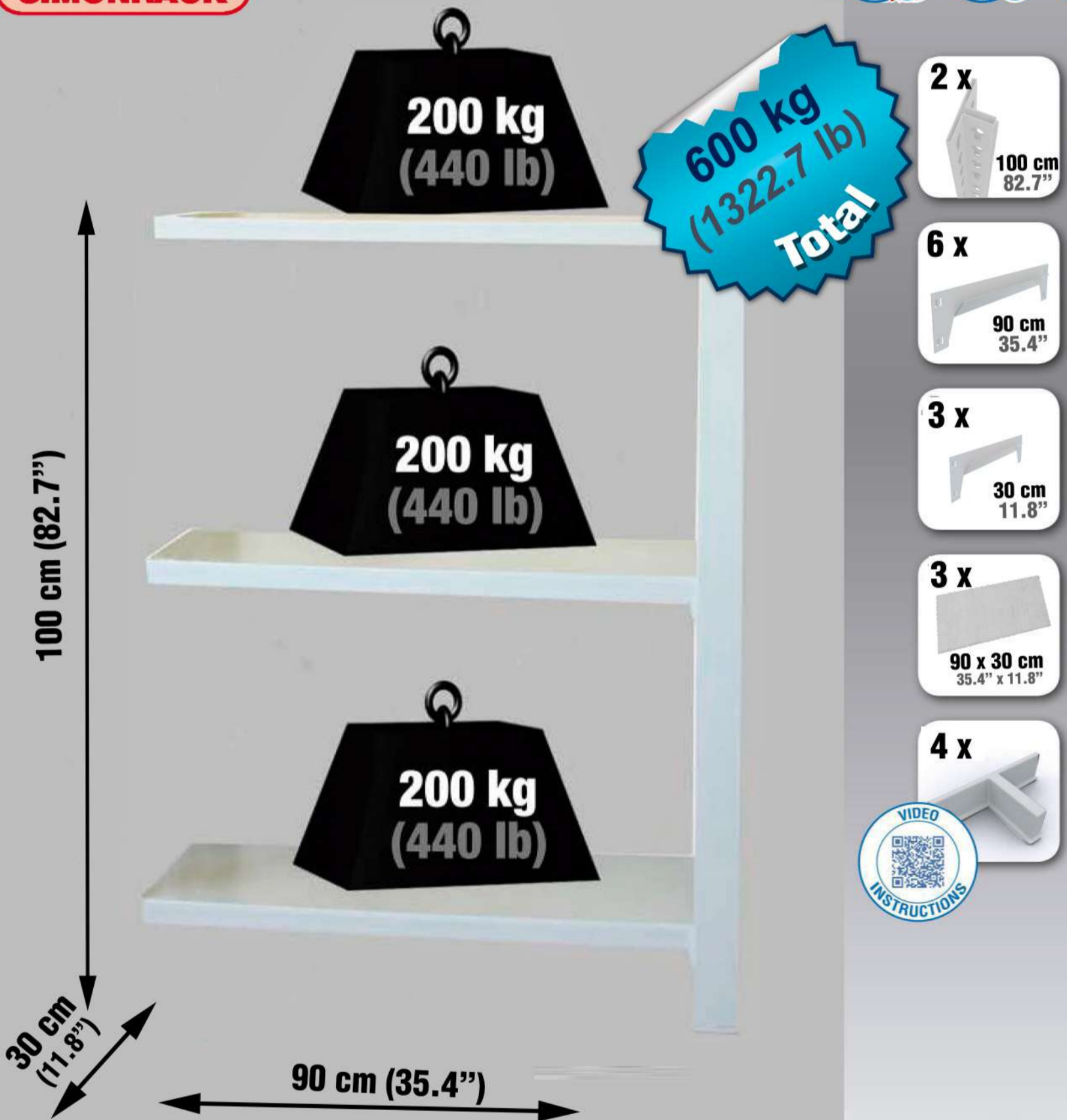
39.3" x 35.4" x 11.8"

Kit Officlick 3/300

Necessary Initial Module!!

**ADDITIONAL
MODULE**

5 Años Garantía
Years Guarantee
Jahre Garantie
Ans Garantie
SIMONRACK



**Simon
Rack**
SINCE 1964 - MANUFACTURER



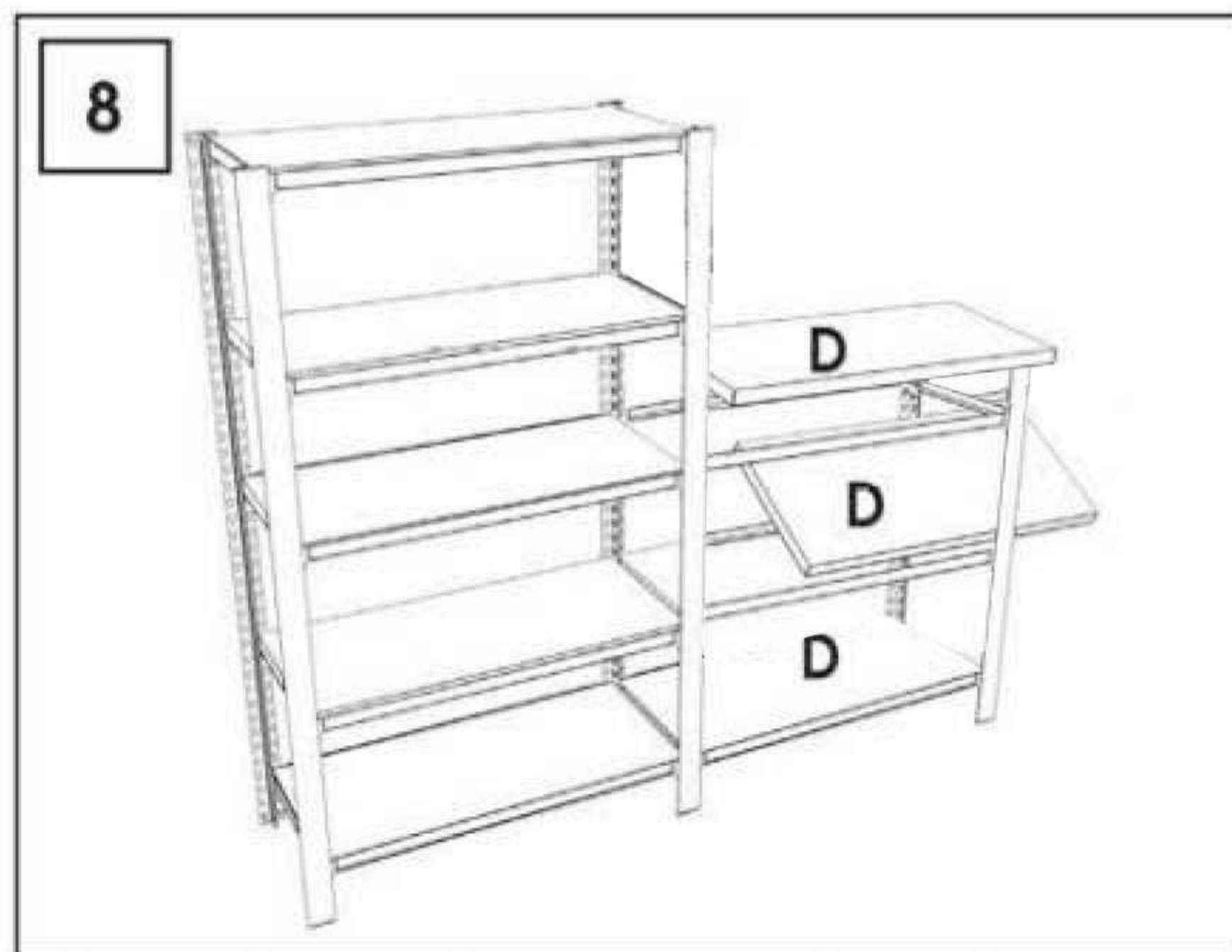
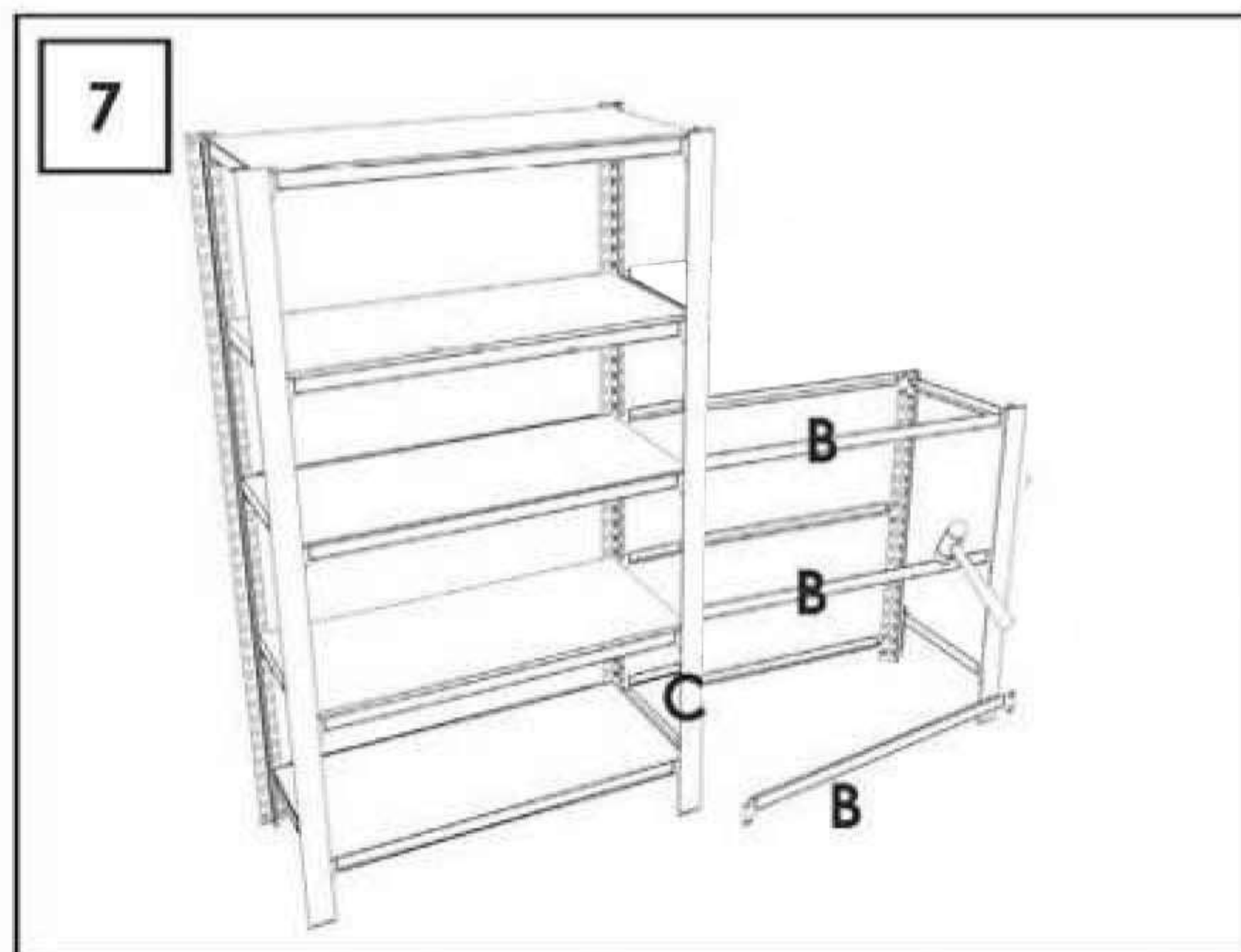
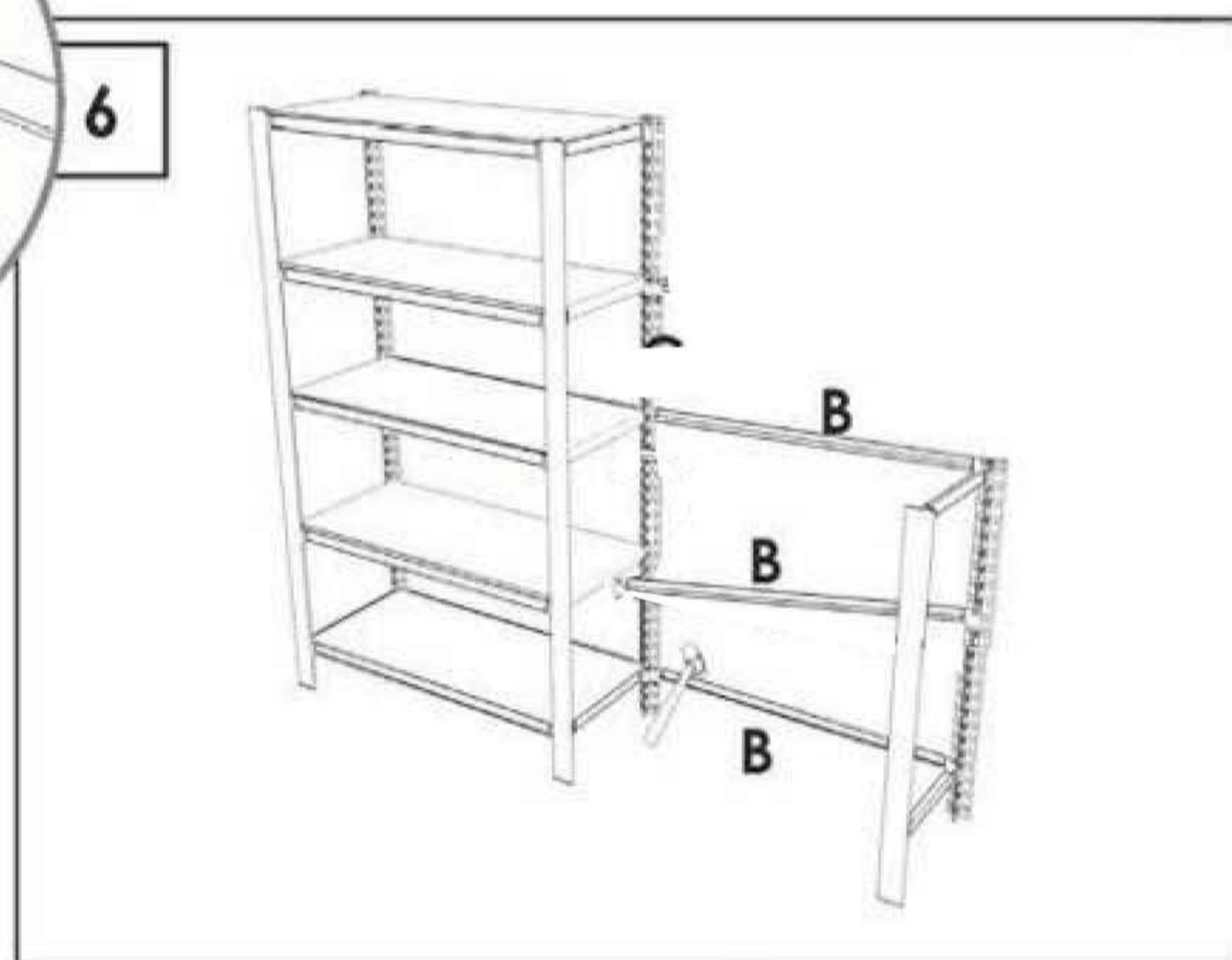
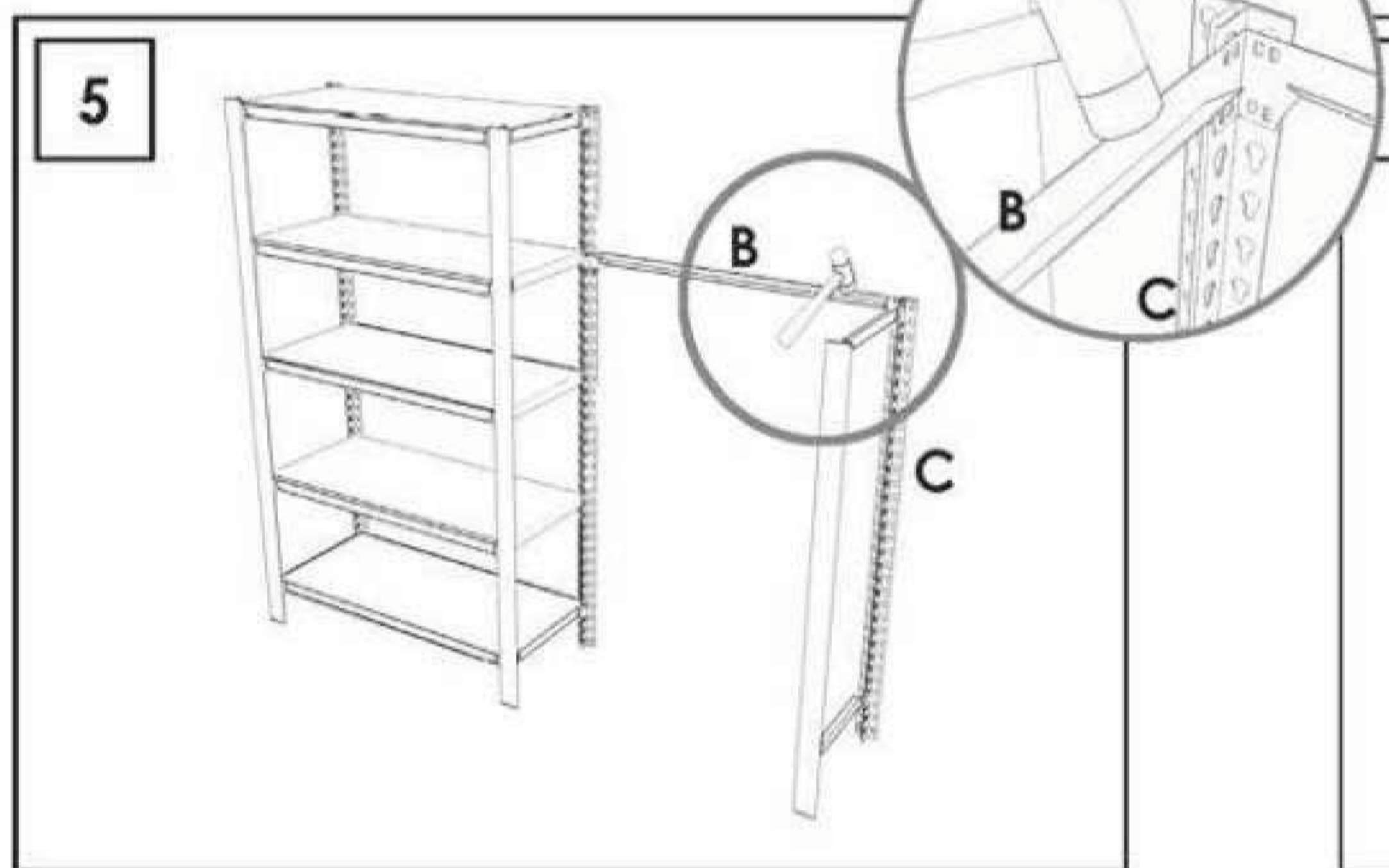
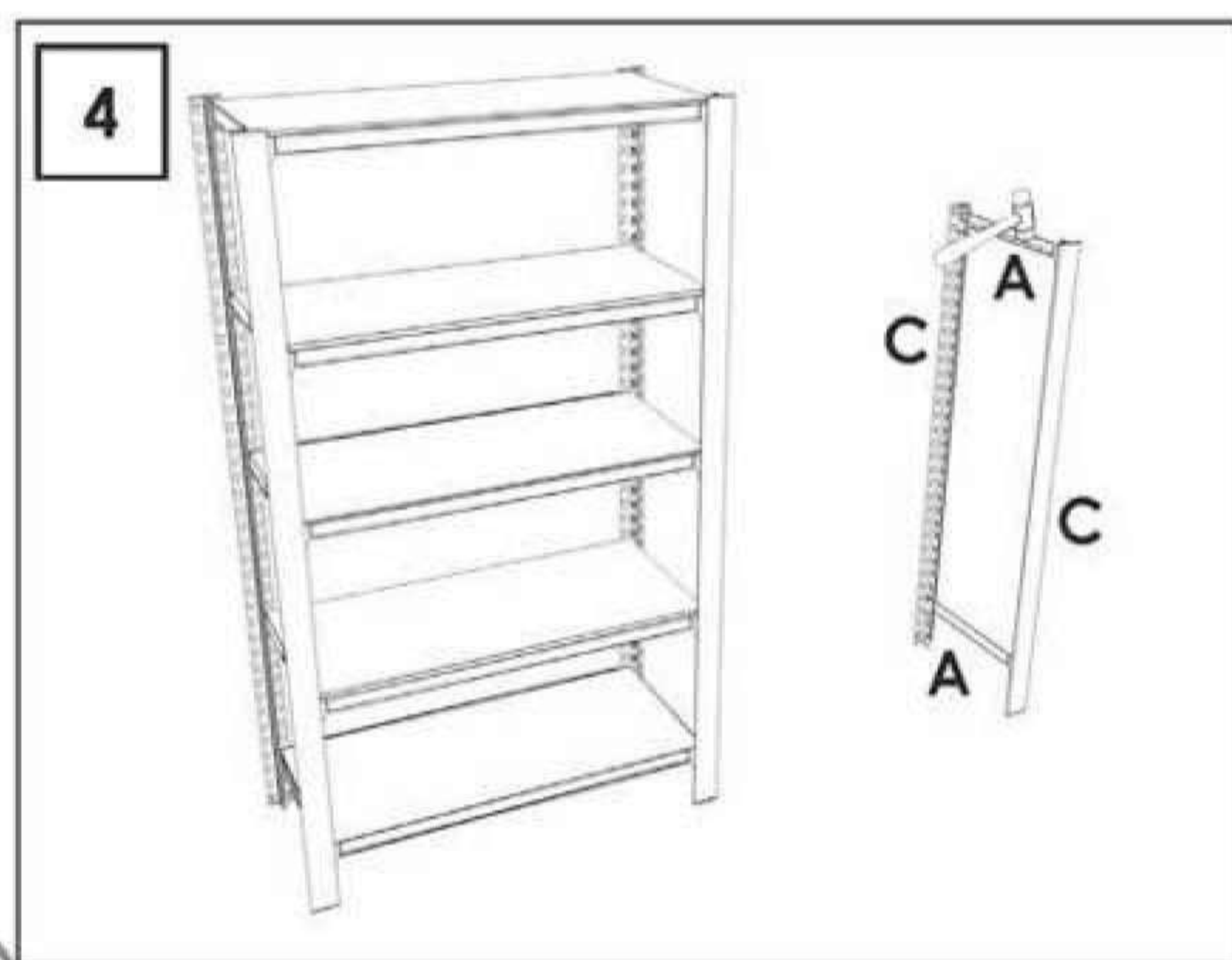
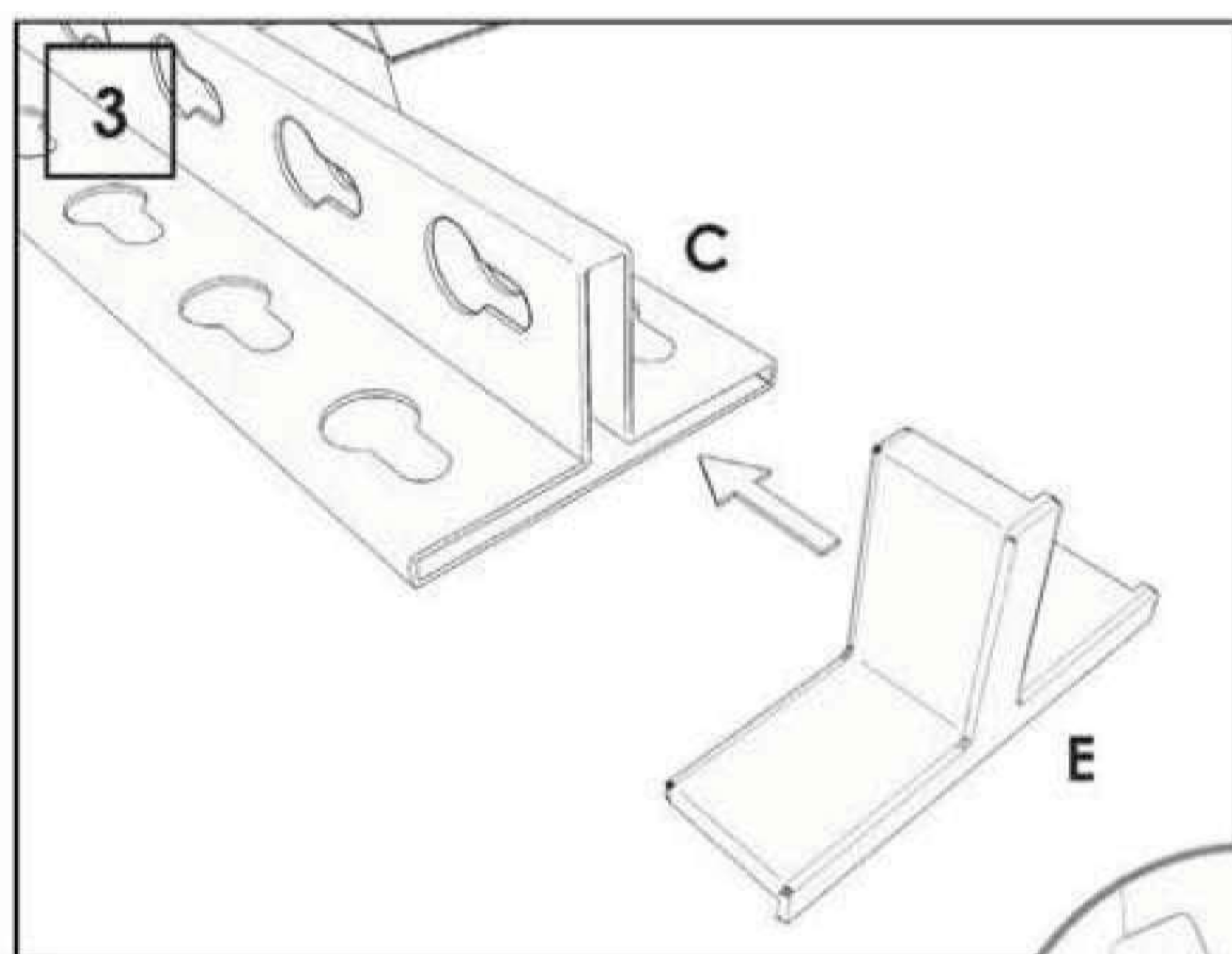
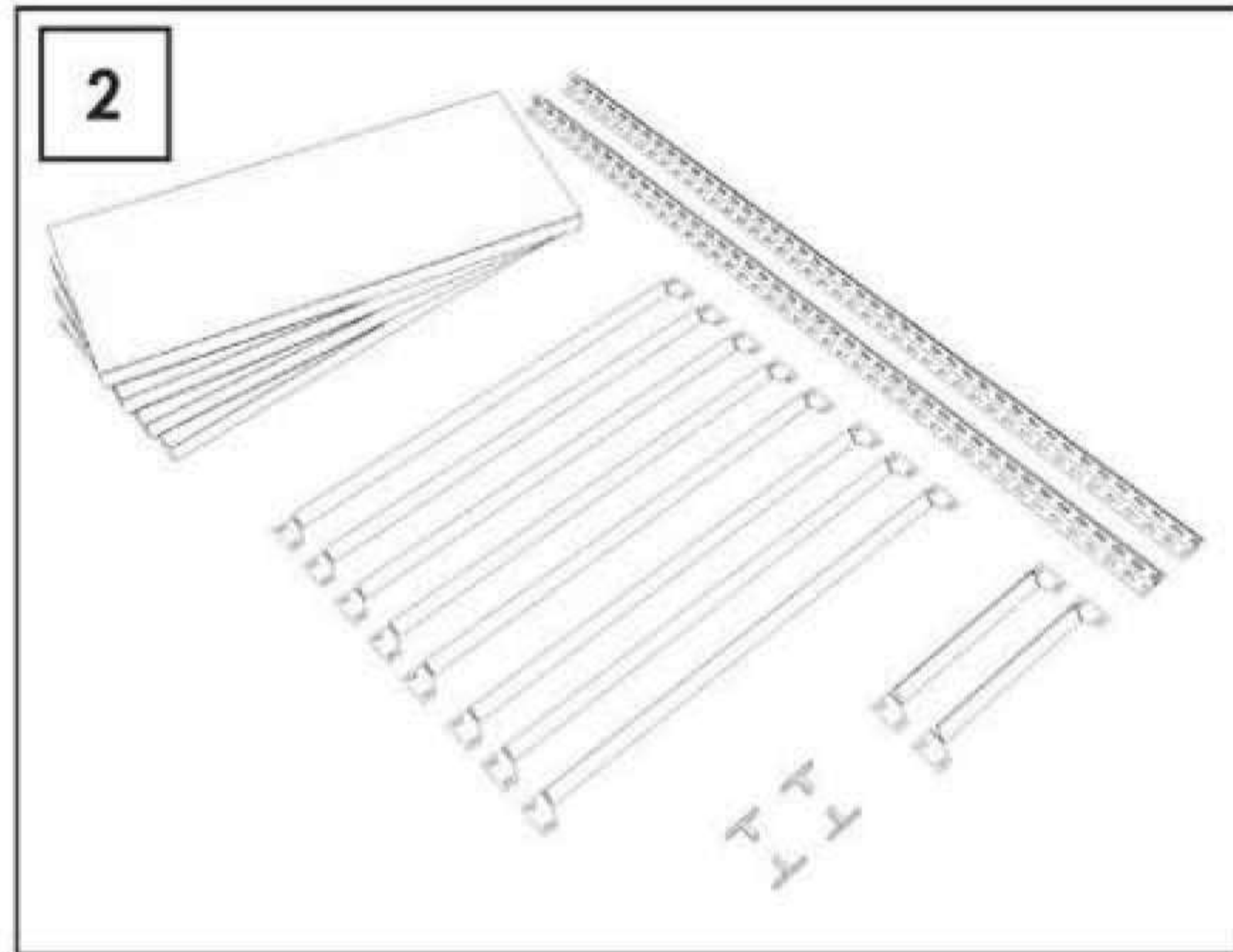
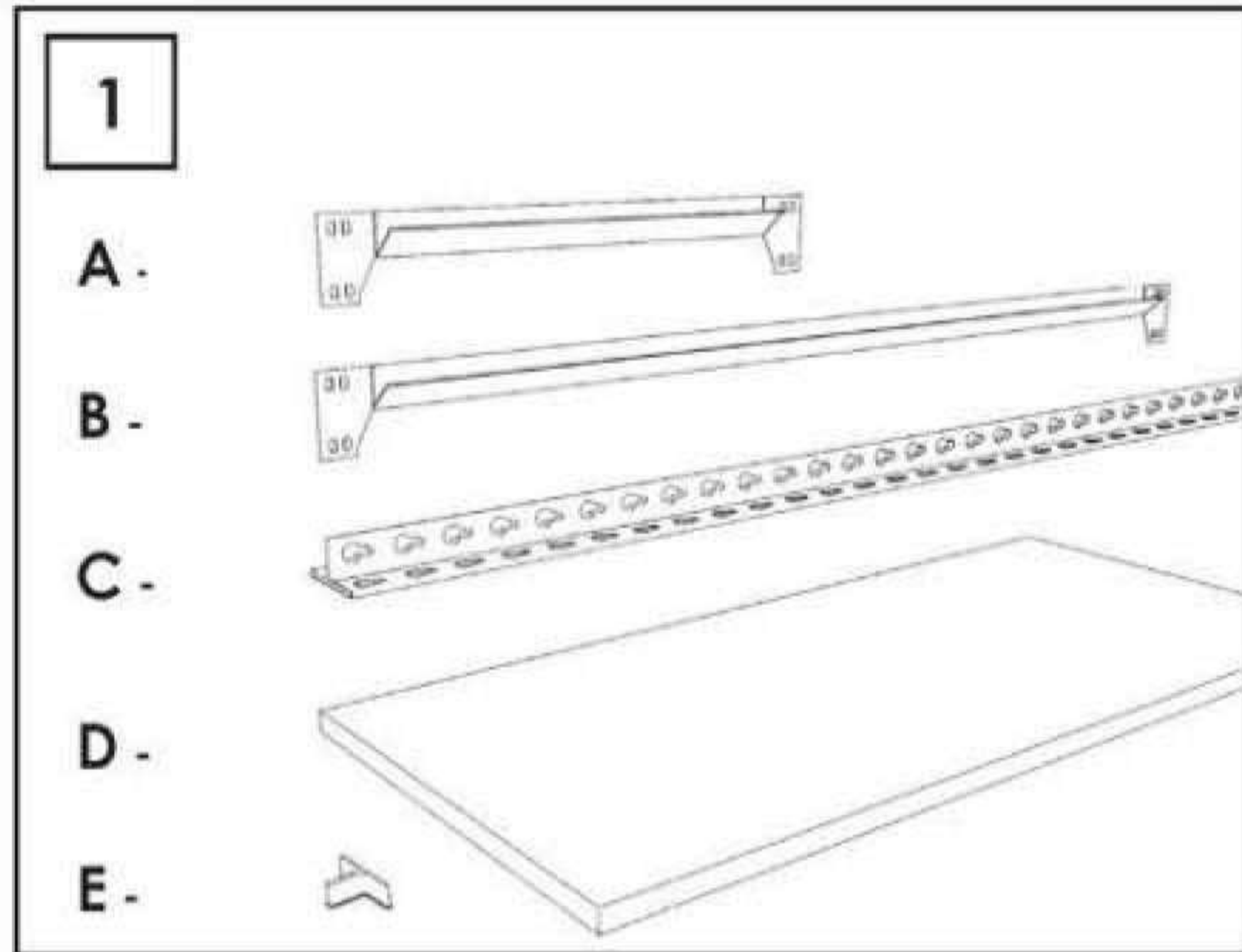
ESTANTERIAS SIMON S.L. B.50.556.463
PG. ALFAMEN C/ POLIGONO C, N°3
ALFAMEN (ZARAGOZA)



www.simonrack.com



INSTRUCTIONS



SIMONCLASSIC



SIMONCLICK



SIMONOFFICE



SIMONTALLER



**BANCOS DE TRABAJO
WORK BENCHES**



SIMONHOME



**TAQUILLAS
LOCKER**



SIMONTITÁN



SIMONINOX



SIMONPALET



SIMONLEVER



**ALTILLOS Y PASILLOS ELEVADOS
PLATFORMS AND MEZZANINES**

