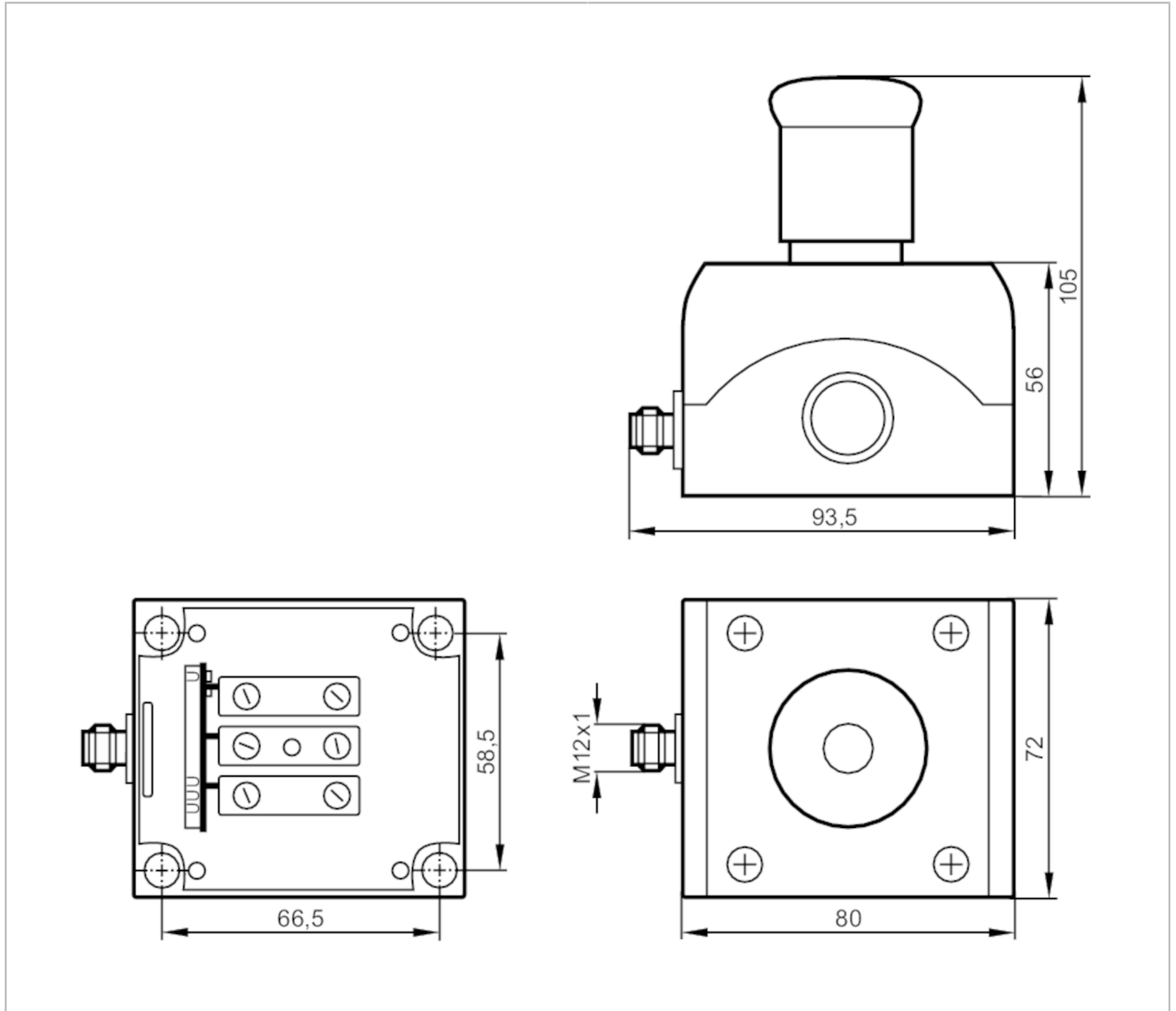


# AC010S



## Illuminated E-STOP with integrated AS-i connection

E-stop illuminated IP67



### Application

Application

fool-proof E-STOP to EN ISO 13850

### Electrical data

Operating voltage [V]

26.5...31.6 DC

Max. current consumption from AS-i [mA]

50

Integrated watchdog

yes

# AC010S



## Illuminated E-STOP with integrated AS-i connection

E-stop illuminated IP67

Inputs		
Input circuit of digital inputs		PNP
Sensor supply of the inputs		AS-i
Voltage supply	[V]	20
Input current Low	[mA]	< 4
Digital inputs protected against short circuits		yes
Outputs		
Electrical design		AS-i
Max. current load per output	[mA]	10
Short-circuit proof		no
Actuator supply switching outputs		AS-i
Operating conditions		
Ambient temperature	[°C]	-25...60
Protection		IP 67
Safety classification		
ISO 13849-1		category 4, PL e
IEC 61508		SIL 3
Mission time TM	[h]	87600
AS-i classification		
AS-i version		2.1
Extended addressing mode possible		no
AS-i profile		S-7.B.E
AS-i I/O configuration	[hex]	7
AS-i ID code	[hex]	B.E
AS-i certificate		74601
Mechanical data		
Weight	[g]	333.5
Dimensions	[mm]	105 x 72 x 80
Materials		PC-GF20
Displays / operating elements		
Display	function	LED, red
Remarks		
Pack quantity		1 pcs.

# AC010S



## Illuminated E-STOP with integrated AS-i connection

E-stop illuminated IP67

### Electrical connection

quick mounting technology for AS-i flat cable, IP 67:

1	AS-i +
2	not used
3	AS-i -
4	not used
5	not used

Connector: M12

