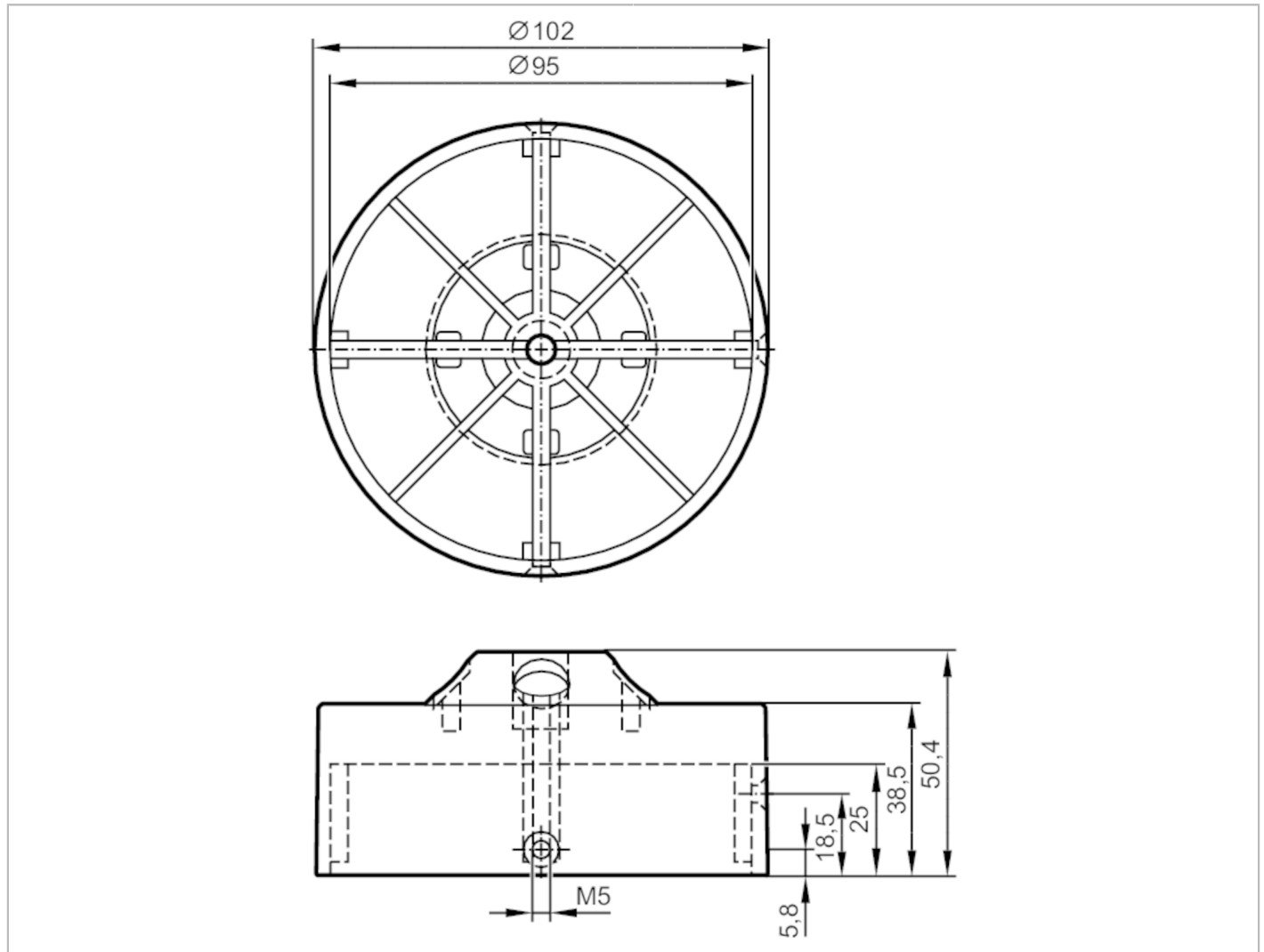


E17328



Target pucks for valve actuators

PUCK/IIND/BK/D102



Application	
Design	for mechanical interfaces to pneumatic actuators or manually-operated valves VDI / VDE 3845, ISO 5211 / DIN 3337
Mechanical data	
Weight	[g] 99.2
Target puck diameter	[mm] 102
Hole spacing	[mm] 130
Shaft height of valve drive	[mm] 30
Housing colour	black
Number of possible switching flag positions	3
Materials	target puck: PA 6; screws: stainless steel (1.4302)
Remarks	
Pack quantity	1 pcs.