

OVERLOAD RELAY 50...200 A FOR MOTOR PROTECTION SIZE S6, CLASS 10 MOUNT. ONTO CONT./ STAND-ALONE MAIN CIRCUIT: THROUGH TRANSF. AUX. CIRCUIT: SPRINGLOAD. TERM. MANUAL-AUTOMATIC-RESET



| | | |
|---------------------|--|----------------------------|
| product brand name | | SIRIUS |
| Product designation | | solid-state overload relay |

General technical data:

| | | |
|---|----|-------------------------------|
| Active power loss total typical | W | 0.05 |
| Insulation voltage | | |
| • with degree of pollution 3 Rated value | V | 1 000 |
| Shock resistance | | 15g / 11 ms |
| Surge voltage resistance Rated value | kV | 8 |
| Size of contactor can be combined company-specific | | S6 |
| Type of assignment | | 2 |
| Protection class IP | | |
| • on the front | | IP20 |
| Type of protection | | PTB 06 ATEX 3001 Ex II (2) GD |
| Equipment marking | | |
| • acc. to DIN EN 61346-2 | | F |
| • acc. to DIN EN 81346-2 | | F |

Main circuit:

| | | |
|--|---|------------|
| Number of poles for main current circuit | | 3 |
| Adjustable response value current of the current-dependent overload release | A | 50 ... 200 |
| Operating voltage | | |
| • at AC-3 Rated value maximum | V | 1 000 |

Auxiliary circuit:

| | | |
|------------------------------|--|--|
| Number of NC contacts | | |
|------------------------------|--|--|

| | | |
|---|---|------|
| • for auxiliary contacts | | 1 |
| Number of NO contacts | | |
| • for auxiliary contacts | | 1 |
| Number of CO contacts | | |
| • for auxiliary contacts | | 0 |
| Operating current of the auxiliary contacts at AC-15 | | |
| • at 24 V | A | 4 |
| • at 110 V | A | 4 |
| • at 120 V | A | 4 |
| • at 125 V | A | 4 |
| • at 230 V | A | 3 |
| Operating current of the auxiliary contacts at DC-13 | | |
| • at 24 V | A | 2 |
| • at 60 V | A | 0.55 |
| • at 110 V | A | 0.3 |
| • at 125 V | A | 0.3 |
| • at 220 V | A | 0.11 |

Protective and monitoring functions:

| | | |
|-------------------|--|----------|
| Trip class | | CLASS 10 |
|-------------------|--|----------|

Short-circuit:

| | | |
|---|--|-----------------|
| Design of the fuse link | | |
| • for short-circuit protection of the auxiliary switch required | | fuse gL/gG: 6 A |

Installation/ mounting/ dimensions:

| | | |
|------------------------------|----|--|
| mounting position | | any |
| Mounting type | | direct mounting / stand-alone installation |
| Height | mm | 119 |
| Width | mm | 120 |
| Depth | mm | 155 |
| Required spacing | | |
| • with side-by-side mounting | | |
| — forwards | mm | 0 |
| — Backwards | mm | 0 |
| — upwards | mm | 0 |
| — downwards | mm | 0 |
| — at the side | mm | 0 |
| • for grounded parts | | |
| — forwards | mm | 0 |
| — Backwards | mm | 0 |
| — upwards | mm | 0 |
| — at the side | mm | 6 |

| | | |
|------------------|----|---|
| — downwards | mm | 0 |
| • for live parts | | |
| — forwards | mm | 0 |
| — Backwards | mm | 0 |
| — upwards | mm | 0 |
| — downwards | mm | 0 |
| — at the side | mm | 6 |

Connections/ Terminals:

| | | |
|--|--|------------------------------------|
| Type of electrical connection | | |
| • for main current circuit | | straight-through transformers |
| • for auxiliary and control current circuit | | spring-loaded terminals |
| Product function | | |
| • removable terminal for auxiliary and control circuit | | Yes |
| Type of connectable conductor cross-section | | |
| • for auxiliary contacts | | |
| — solid | | 2x (0.25 ... 1.5 mm ²) |
| — finely stranded with core end processing | | 2x (0.25 ... 1.5 mm ²) |
| • for AWG conductors for auxiliary contacts | | 2x (24 ... 16) |

Safety related data:

| | | |
|--|--|-------------|
| Protection against electrical shock | | finger-safe |
|--|--|-------------|

Mechanical data:

| | | |
|-------------------------------|--|----|
| Size of overload relay | | S6 |
|-------------------------------|--|----|

Ambient conditions:

| | | |
|--|----|-------------|
| Installation altitude at height above sea level maximum | m | 2 000 |
| Ambient temperature | | |
| • during operation | °C | -25 ... +60 |
| • during storage | °C | -40 ... +80 |
| • during transport | °C | -40 ... +80 |
| Relative humidity during operation | % | 100 |

Electromagnetic compatibility:

| | | |
|--|--|---|
| Conducted interference due to burst acc. to IEC 61000-4-4 | | 2 kV (power ports), 1 kV (signal ports) corresponds to degree of severity 3 |
| Conducted interference due to conductor-earth surge acc. to IEC 61000-4-5 | | 2 kV (line to earth) corresponds to degree of severity 3 |
| Conducted interference due to conductor-conductor surge acc. to IEC 61000-4-5 | | 1 kV (line to line) corresponds to degree of severity 3 |
| Field-bound parasitic coupling acc. to IEC 61000-4-3 | | 10 V/m |
| Electrostatic discharge acc. to IEC 61000-4-2 | | 6 kV contact discharge / 8 kV air discharge |

Certificates/ approvals:

| | | |
|--------------------------|-----|--------------------------------|
| General Product Approval | EMC | For use in hazardous locations |
|--------------------------|-----|--------------------------------|



| | | |
|---------------------------|-------------------|-------------------|
| Declaration of Conformity | Test Certificates | Shipping Approval |
|---------------------------|-------------------|-------------------|



[Type Test Certificates/Test Report](#)

[Special Test Certificate](#)



| | |
|-------------------|-------|
| Shipping Approval | other |
|-------------------|-------|



[Environmental Confirmations](#)

[other](#)

Further information

Information- and Downloadcenter (Catalogs, Brochures,...)

<http://www.siemens.com/industrial-controls/catalogs>

Industry Mall (Online ordering system)

<http://www.siemens.com/industrymall>

Cax online generator

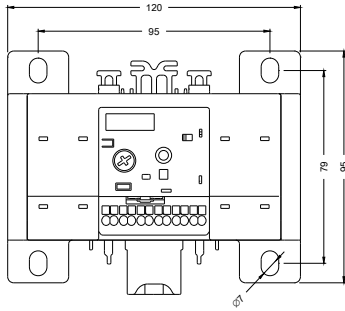
<http://support.automation.siemens.com/WW/CAXorder/default.aspx?lang=en&mlfb=3RB20561FX2>

Service&Support (Manuals, Certificates, Characteristics, FAQs,...)

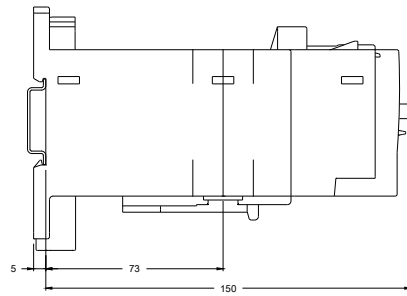
<http://support.automation.siemens.com/WW/view/en/3RB20561FX2/all>

Image database (product images, 2D dimension drawings, 3D models, device circuit diagrams, EPLAN macros, ...)

http://www.automation.siemens.com/bilddb/cax_de.aspx?mlfb=3RB20561FX2&lang=en



last modified:



11.03.2015