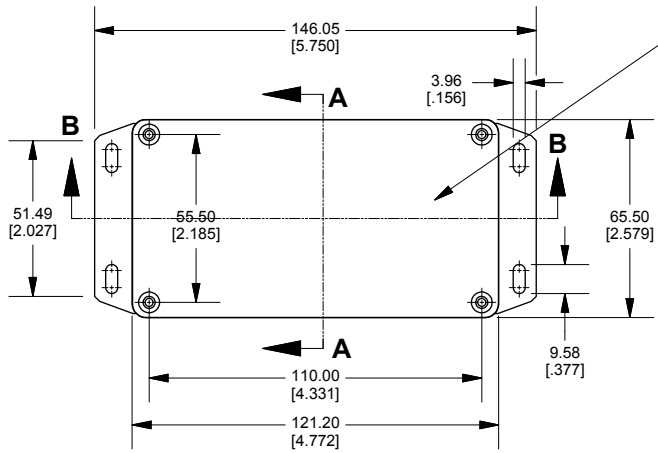
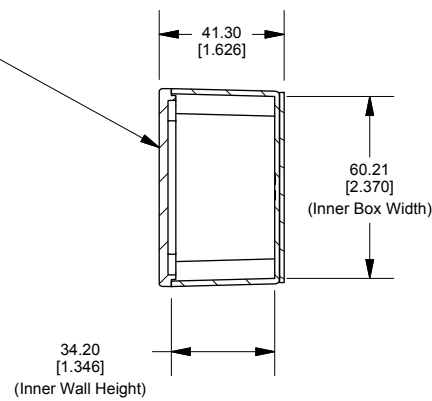


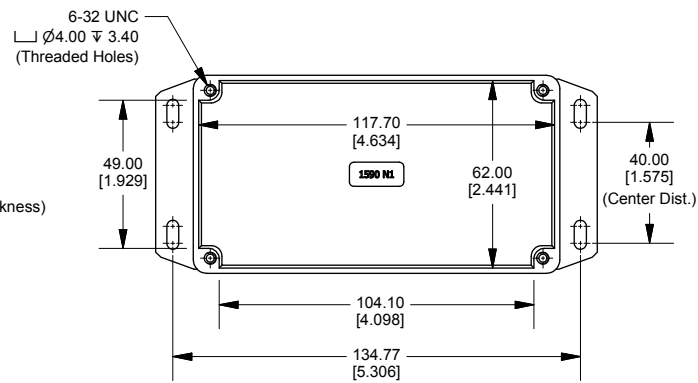
Top View of Assembly



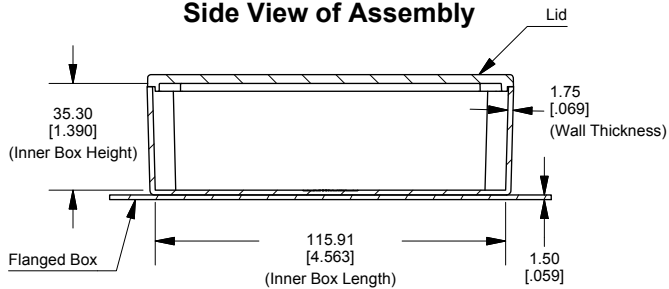
SECTION A-A End View of Assembly



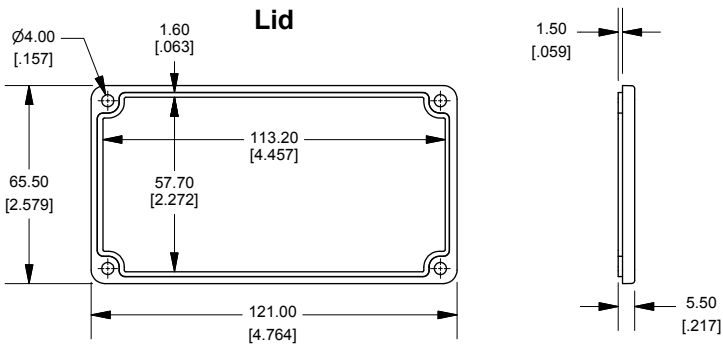
Top View Looking Inside Box



SECTION B-B Side View of Assembly



Lid



Enclosures can be Factory Modified (Milling, Drilling, Printing etc.)
 Contact Factory mjm@hammondmfg.com for quotes
 Solid models of this enclosure available in STEP or IGES.

NOTE

Purchased assembly includes box, lid and 4 cover screws.
 Box and lid are made from Diecast Aluminum Alloy.
 Silicone Gasket supplied with liquid resistant enclosure.
 Bottom Flange is Welded.

PART NUMBERS

1590N1F Enclosure	
Natural Finish Enclosure	1590N1F
Black Textured Enclosure	1590N1FBK
1590N1F Liquid Resistant Enclosure (Silicone Gasket)	
Natural Finish Enclosure	1590WN1F
Black Textured Enclosure	1590WN1FBK

ACCESSORIES

Recommended Torque: 75 ozf.in / 55 cN.m

Liquid Resistant Cover Screws

Stainless Steel Cover Screws (Pkg 100) [6-32 x 1/2" With O-Ring]	1590WMS100
Black Stainless Steel Cover Screws (Pkg 100) [6-32 x 1/2" With O-Ring]	1590WMS100BK

Standard Cover Screws

Plated Cover Screws (Pkg 100) [6-32 x 1/2"]	1590MS100
Black Cover Screws (Pkg 100) [6-32 x 1/2"]	1590MS100BK

**HAMMOND
MANUFACTURING™**

1590N1F

www.hammondmfg.com

Dimensions:
mm
[inches]