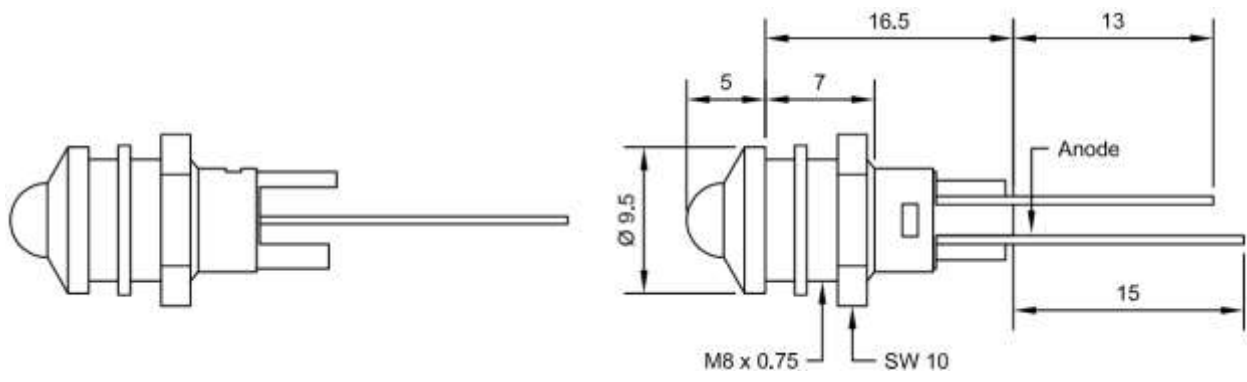


Part Number: 1904X02X

Type	Size	Rating	Description
LED	M8	-	Removable LED Prominent Panel Indicator

Dimensions (mm)



Part #	Colour	Voltage	Current (mA)	Intensity (mcd)
1904X020	Red	2.0	30mA max.	80 @ 20mA
1904X021	Green	2.2	30mA max.	32 @ 20mA
1904X022	Yellow	2.1	30mA max.	32 @ 20mA

Bezel types - X=0 satin chrome / X=1 black chrome / X=2 matt chrome

Notes:

- 1 Electrical & optical data are measured at an ambient temperature of 25°C
- 2 Luminous intensity at DC
- 3 Storage temperature -25 °C to +80°C
- 4 Application temperature -20 °C to +60°C
- 5 Due to component tolerances, colour temperature variations may be observed
- 6 Ingress rating IP40
- 7 The plastic(polycarbonate) has limited chemical resistance
- 8 RoHS & REACH SVHC compliant