

# Customer Information Sheet

DRAWING No.: M50-365XX42R

SHEET 3 OF 4

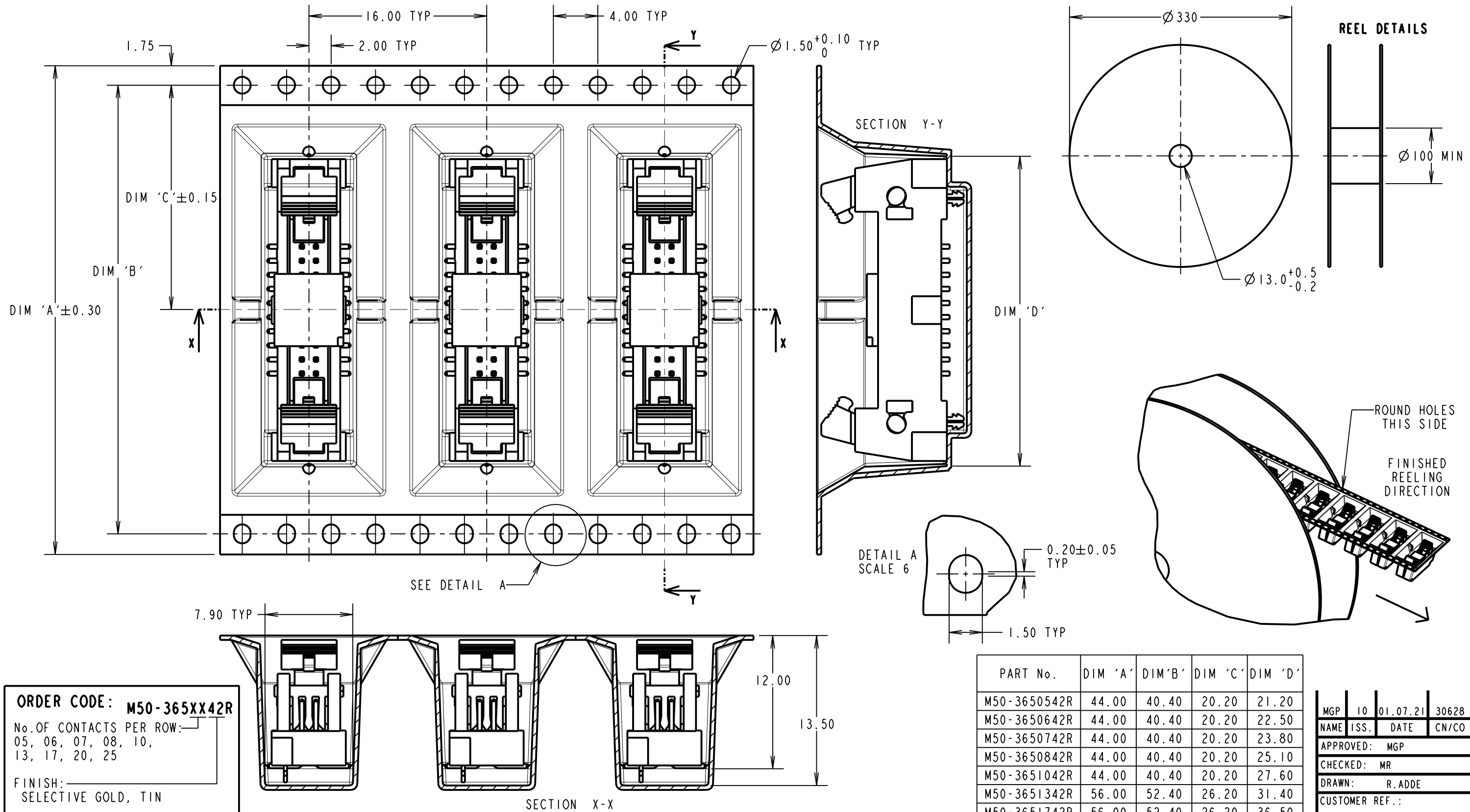
IF IN DOUBT - ASK

©

NOT TO SCALE

THIRD ANGLE PROJECTION

ALL DIMENSIONS IN mm



ORDER CODE: **M50-365XX42R**

No. OF CONTACTS PER ROW:   
 05, 06, 07, 08, 10,  
 13, 17, 20, 25

FINISH:   
 SELECTIVE GOLD, TIN

- NOTES:
- FOR CONNECTOR DETAILS AND SPECIFICATIONS, SEE SHEET 4.
  - PRODUCT IS TAPE AND REELED IN GENERAL ACCORDANCE WITH EIA-481 (ELECTRONIC INDUSTRIES ASSOCIATION).
  - QUANTITY PER REEL = 250.
  - ALL COMPONENTS ARE RoHS AND REACH COMPLIANT.

**HARWIN**

www.harwin.com  
 technical@harwin.com

THIS DRAWING AND ANY INFORMATION OR DESCRIPTIVE MATTER SET OUT HEREON ARE CONFIDENTIAL AND COPYRIGHT PROPERTY OF THE HARWIN GROUP AND MUST NOT BE DISCLOSED, LOANED, COPIED OR USED FOR MANUFACTURING, TENDERING OR FOR ANY OTHER PURPOSE WITHOUT THEIR WRITTEN PERMISSION.

TOLERANCES  
 X. = ±1mm  
 X.X = ±0.50mm  
 X.XX = ±0.20mm  
 X.XXX = ±0.01mm  
 ANGLES = ±5°  
 UNLESS STATED

MATERIAL: SEE SHEET 4  
 FINISH: SEE ABOVE  
 S/AREA: mm<sup>2</sup>

TITLE: 1.27mm DIL SMT EJECTOR HEADER WITH CAP & PEGS TAPE & REELED

DRAWING NUMBER: **M50-365XX42R**

SHT 3 OF 4

MGP	10	01.07.21	30628
NAME	ISS.	DATE	CN/CO
APPROVED: MGP			
CHECKED: MR			
DRAWN: R. ADDE			
CUSTOMER REF.:			
ASSEMBLY DRG:			

# Customer Information Sheet

DRAWING No.: M50-365XX42R

SHEET 4 OF 4

IF IN DOUBT - ASK

©

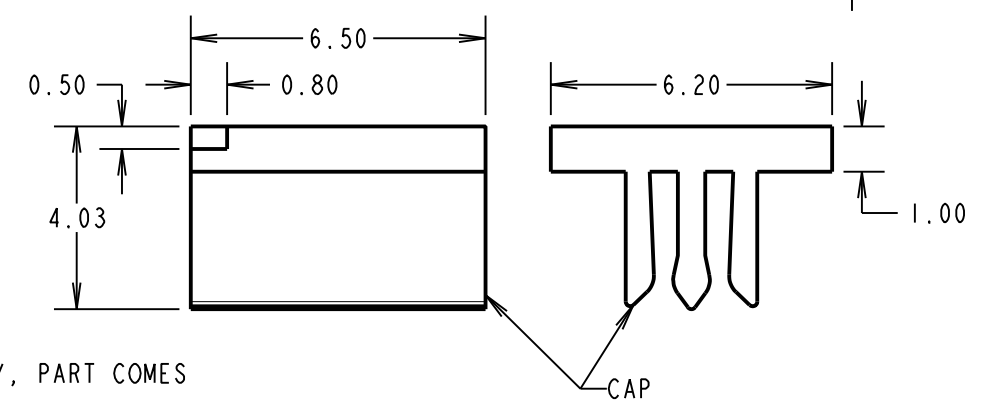
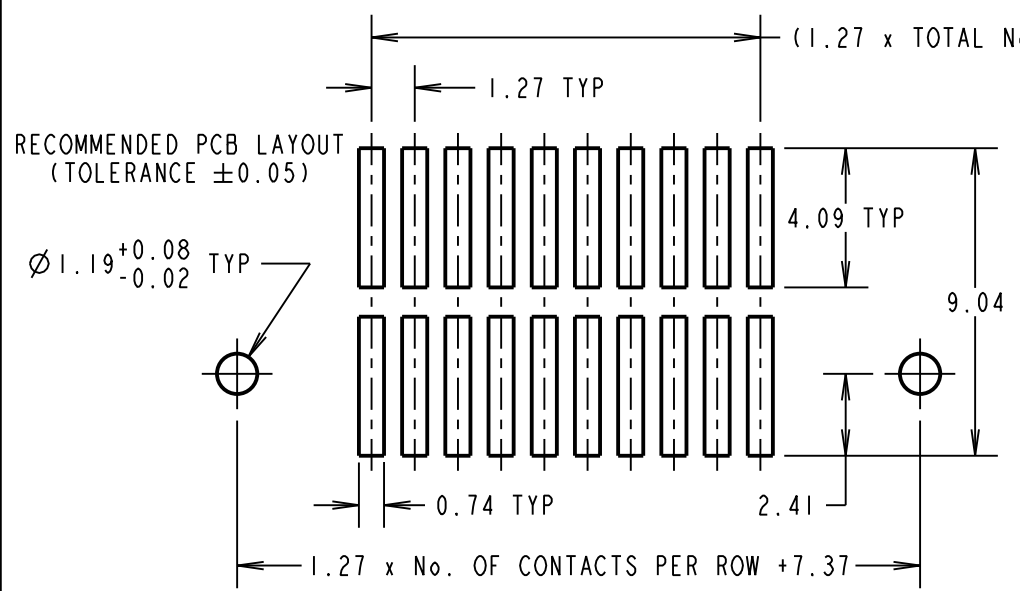
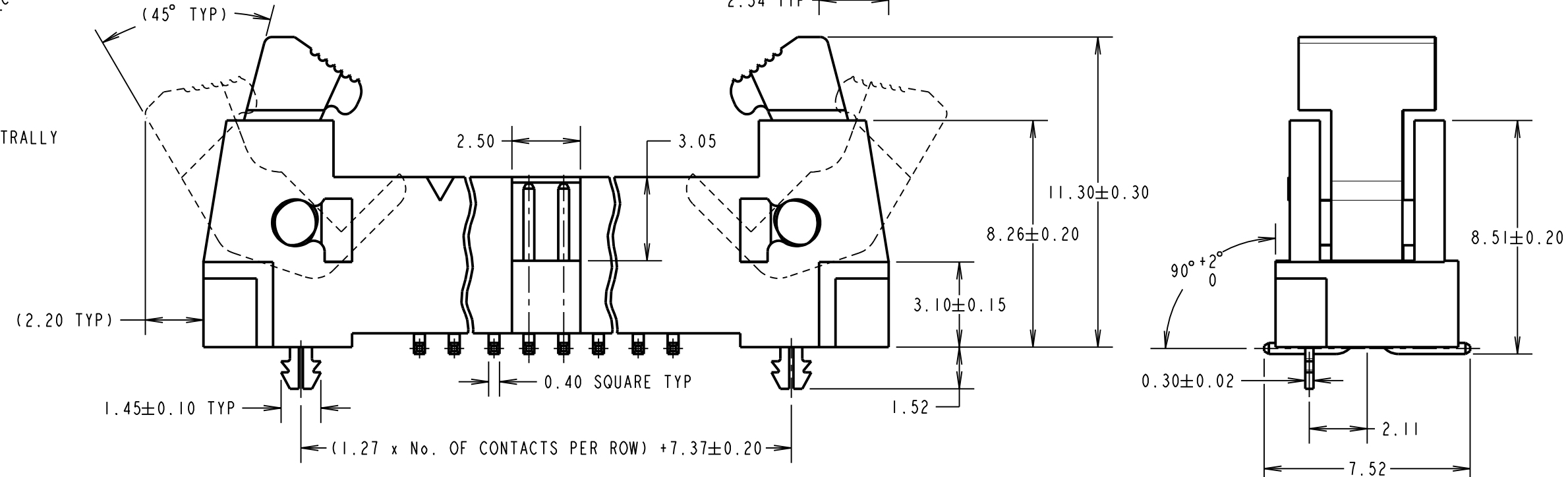
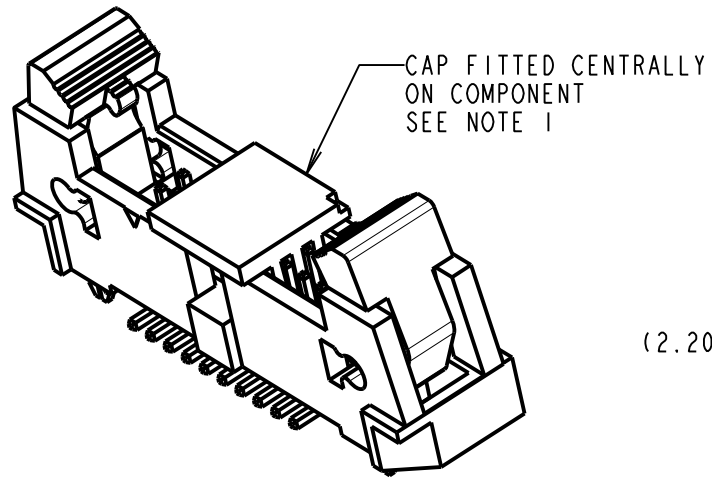
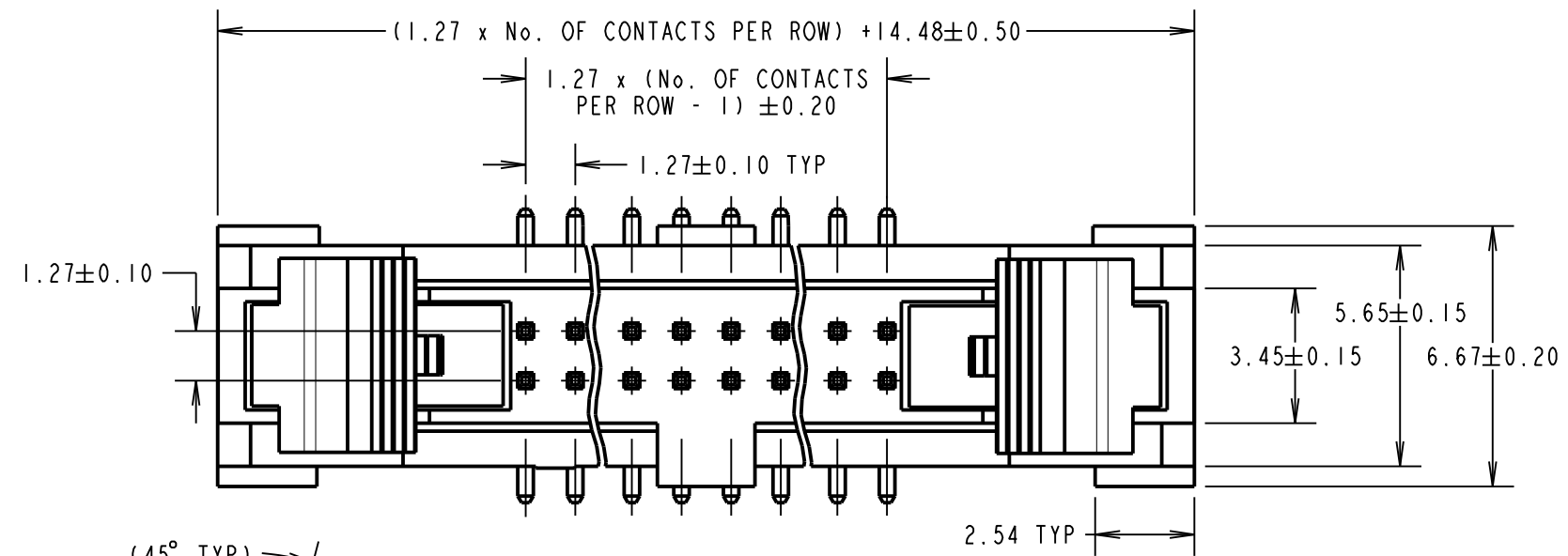
NOT TO SCALE

THIRD ANGLE PROJECTION

ALL DIMENSIONS IN mm

**SPECIFICATIONS:**  
**MATERIALS:**  
 MOULD = LCP, 30% G/F, UL94V-0  
 CONTACT = BRASS  
 FORK = PHOSPHOR BRONZE  
**FINISH:**  
 42 = 0.015-0.02µm GOLD ON CONTACTS,  
 2.54µm 100% TIN ON TAILS OVER,  
 0.76-2.03µm NICKEL.  
 2.03-5.08µm 100% TIN ON FORKS OVER,  
 0.76-2.03µm NICKEL.  
**MECHANICAL:**  
 DURABILITY = 300 CYCLES MIN  
**ELECTRICAL:**  
 RATED CURRENT = 1.75A  
 CONTACT RESISTANCE = 20mΩ MAX  
 WITHSTAND VOLTAGE = 500V ACrms/DC FOR 1 MIN  
 INSULATION RESISTANCE = 5000MΩ MIN  
**ENVIRONMENTAL:**  
 OPERATING TEMPERATURE = -55°C TO +125°C  
 FOR COMPLETE SPECIFICATION, SEE COMPONENT  
 SPECIFICATION CO29XX (LATEST ISSUE)

**ORDER CODE: M50-365XX42R**  
 No. OF CONTACTS PER ROW:  05,  06,  07,  08,  10,  
 13,  17,  20,  25  
 FINISH: \_\_\_\_\_  
 SELECTIVE GOLD, TIN



**NOTES:**  
 1. CAP REMOVED FROM MAIN VIEWS FOR CLARITY, PART COMES WITH CENTRALLY FITTED CAP.  
 2. ALL TOLERANCES ARE ±0.25 UNLESS OTHERWISE STATED.  
 3. ALL COMPONENTS ARE RoHS AND REACH COMPLIANT.

MGP	10	01.07.21	30628
NAME	ISS.	DATE	CN/CO
APPROVED: MGP			
CHECKED: MR			
DRAWN: R.ADDE			
CUSTOMER REF.:			
ASSEMBLY DRG:			

 www.harwin.com technical@harwin.com	THIS DRAWING AND ANY INFORMATION OR DESCRIPTIVE MATTER SET OUT HEREON ARE CONFIDENTIAL AND COPYRIGHT PROPERTY OF THE HARWIN GROUP AND MUST NOT BE DISCLOSED, LOANED, COPIED OR USED FOR MANUFACTURING, TENDERING OR FOR ANY OTHER PURPOSE WITHOUT THEIR WRITTEN PERMISSION.	TOLERANCES X = ±1mm X.X = ±0.50mm X.XX = ±0.20mm X.XXX = ±0.01mm ANGLES = ±5° UNLESS STATED	MATERIAL: SEE ABOVE FINISH: SEE ABOVE S/AREA: mm <sup>2</sup>	TITLE: 1.27mm DIL SMT EJECTOR HEADER WITH CAP & PEGS TAPE & REELED DRAWING NUMBER: <b>M50-365XX42R</b>	SHT 4 OF 4
--	---	---	--	--	---------------