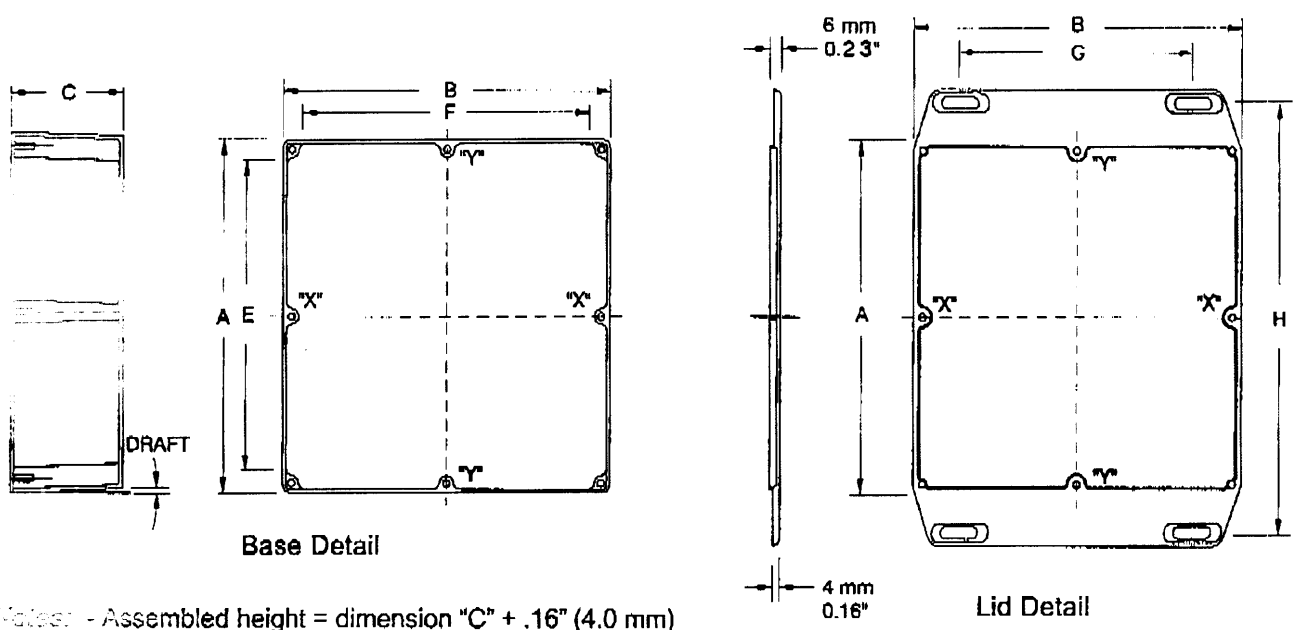


Watertight with Flanged Lid (1590W Series)



Diecast Aluminum

- Notes:**
- Assembled height = dimension "C" + .16" (4.0 mm)
 - Wall & lid thickness is roughly .08" (2 mm) and varies with draft due to part being cast.
 - Posts "X" exist on parts 1590D, 1590DD & 1590E
 - Posts "X" & "Y" exist on part 1590F
 - For detailed drawings, CAD files or technical bulletins visit our website at: www.hammondmfg.com

Part Number		Units	Dimensions							Apx. Draft
Unpainted	Black		A	B	C (No Lid)	E	F	G	H	
1590WLBFL	1590WLBFLBK	inch mm	1.99 50.5	1.99 50.5	1.06 27	1.36 34.5	1.36 34.5	1.04 26	2.57 65	1°15'
1590WAFL	1590WAFLBK	inch mm	3.64 92.5	1.52 38.5	1.06 27	3.01 76.5	.89 22.5	.54 14	4.32 110	1°15'
1590WBFL	1590WBFLBK	inch mm	4.39 111.5	2.34 59.5	1.06 27	3.76 95.5	1.71 43.5	1.40 35.6	4.99 127	1°15'
1590WBBFL	1590WBBFLBK	inch mm	4.67 118.5	3.68 93.5	1.18 30	4.04 102.5	3.05 77.5	2.73 69	5.38 137	1°15'
1590WDDFL	1590WDDFLBK	inch mm	7.40 188	4.70 119.5	1.30 33	6.77 172	4.07 103.5	3.73 95	8.08 205	1°15'
1590WN1FL	1590WN1FLBK	inch mm	4.77 121.1	2.60 66	1.39 35.3	4.09 103.8	1.92 38.5	1.52 38.5	5.35 135.8	1°15'
1590WSFL	1590WSFLBK	inch mm	4.35 110.5	3.21 81.5	1.57 40	3.72 94.5	2.58 65.5	2.26 57	5.03 128	1°15'
1590WP1FL	1590WP1FLBK	inch mm	6.01 153	3.24 82	1.81 46	5.38 137	2.87 73	2.20 56	6.62 168	2°
1590WDFL	1590WDFLBK	inch mm	7.38 187.5	4.70 119.5	2.05 52	6.75 171.5	4.07 103.5	3.73 96	8.08 205	2°
1590WCFL	1590WCFLBK	inch mm	4.72 120	3.70 94	2.07 52.5	4.09 104	3.07 78	2.73 69	5.38 137	2°
1590WTFL	1590WTFLBK	inch mm	4.74 120.5	3.13 79.5	2.17 55	4.11 104.5	2.50 63.5	2.19 56	5.42 138	1°15'
1590WUFL	1590WUFLBK	inch mm	4.70 119.5	4.70 119.5	2.17 55	4.07 103.5	4.07 103.5	3.77 96	5.42 138	1°15'
1590WFFL	1590WFFLBK	inch mm	7.38 187.5	7.38 187.5	2.48 63	6.75 171.5	6.75 171.5	6.43 163	8.08 205	2°
1590WEFL	1590WEFLBK	inch mm	7.38 187.5	4.70 119.5	3.07 78	6.75 171.5	4.07 103.5	3.73 96	8.08 205	2°
1590WVFL	1590WVFLBK	inch mm	4.70 119.5	4.70 119.5	3.54 90	4.07 103.5	4.07 103.5	3.73 96	5.42 138	1°15'

Hammond Manufacturing Co. Ltd.
 394 Edinburgh Rd. North
 Guelph, Ontario N1H 1E5 CANADA
 Phone: 519-822-2960 Fax: 519-822-0715



Hammond Manufacturing Co. Inc.
 4700 Genesee St.
 Cheektowaga, NY 14225 USA
 Phone: 716-631-5700 Fax: 716-631-1156

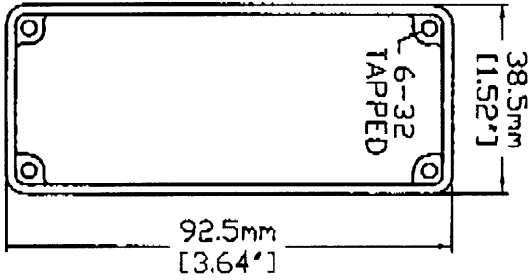
306 1991
Hammond

1590W
series

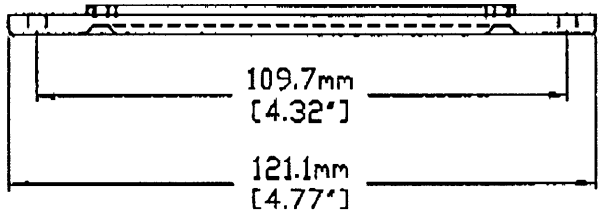
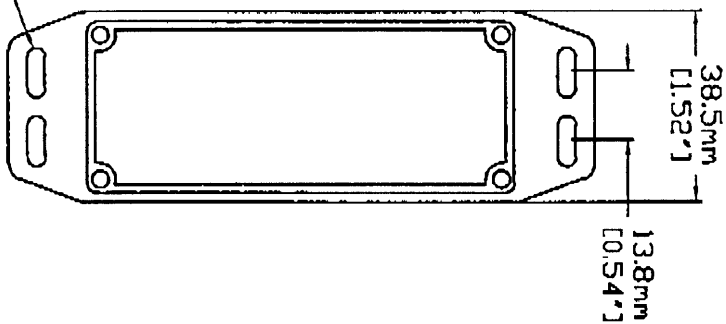
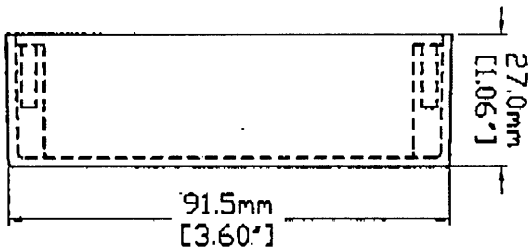
DIMENSIONS
mm

NOTES
MATERIAL - DIECAST ALUMINUM ALLOY,
-FOUR 6-32 Phillips SCREWS.

VIEW OF BOX (LID REMOVED)



VIEW INSIDE LID



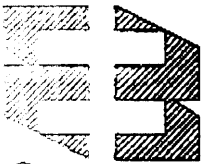
1590AFL
1590A WITH SPECIAL FLANGED LID.
AVAILABLE FROM STOCK.

WATERPROOFING KIT IS AVAILABLE

PART # 1590AG.

THE GASKET KIT WILL AFFORD PROTECTION
AGAINST LIQUID TO NEARLY ALL IP65 LEVELS.

THE ENCLOSURE IS ALSO AVAILABLE IN BLACK
AND GRAY TEXTURE FINISH.



HAMMOND MANUFACTURING

1590AFL

CANADA - PH (519) 836 2170 FAX (519) 836 8111
U.S.A. - PH (716) 641 8700 FAX (716) 631 1156

Diecast Aluminum Enclosure with Flanged Lid (1590W Series)

Countersunk lid with stainless steel machine screws into drilled and tapped holes with individual neoprene "O" rings...

Vibra finished for a beautiful finish & no sharp edges...

Lid screws are hidden against wall or shelf for extra security...

Lap joint construction with a bead of rubberlike silicon around the lid perimeter...

Low draft angle for easy P.C. board mounting...

Diecast Aluminum

KEY FEATURES

- Rugged, diecast aluminum alloy (tough yet easy to machine), electronic instrument enclosure.
- Two piece lap joint construction with a bead of rubberlike silicon around the perimeter provides protection against dust accumulation and water.
- Poured silicon remains flexible from -62 to +232°C (-80 to +450 °F)
- Flanged lid allows for easy mounting to walls or shelves.
- These enclosures share the same body and features as our regular type 1590 enclosure except the lid is extended and four countersunk holes are cast into the flanges.
- The flanged lid allows for added security as the lid screws are hidden against the wall or shelf.
- Painted version is painted with tough powder paint for a lasting finish, even after machining.
- Four (or 6 in 1590D, 1590DD & 1590E, 8 in 1590F) 6-32 x 1/2" machine screws secure lid - into tapped holes.
- Designed to meet IP65

Vibra finished for a beautiful finish & no sharp edges, then painted with tough powder paint...

Enclosure uses black stainless steel machine screws into drilled & tapped holes painted to match enclosure with individual rubber "O" rings...

Lap joint construction with a bead of rubberlike silicon around the lid perimeter...

40



Hammond Manufacturing Co. Ltd.
394 Edinburgh Rd. North
Guelph, Ontario N1H 1E5 CANADA
Phone: 519-822-2960 Fax: 519-822-0715

www.hammondmfg.com

Hammond Manufacturing Co. Inc.
4700 Genesee St.
Cheektowaga, NY 14225
Phone: 716-631-5700 Fax: 716-631-5701