

PLEASE CHECK WWW.MOLEX.COM FOR LATEST PART INFORMATION

Part Number: [5011904017](#)
Status: **Active**
Overview: Pico-Clasp Wire-to-Board Connectors
Description: 1.00mm Pitch Pico-Clasp Wire-to-Board Header, Surface Mount, Dual Row, Vertical, 0.10µm Gold Plated, with Inner Positive Lock, with Pick-and-Place Tape, 40 Circuits

Documents:

3D Model	Application Specification 5011890000-A00 (PDF)
Drawing (PDF)	Application Specification 5011890000-A01 (PDF)
Product Specification PS-501190-001-001 (PDF)	Packaging Specification SPK-501190-001-001 (PDF)
Product Specification PS-501190-003-001 (PDF)	RoHS Certificate of Compliance (PDF)
Product Specification PS-501190-004-001 (PDF)	

Agency Certification

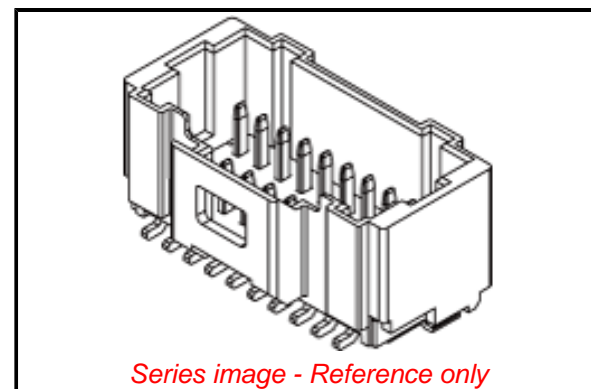
UL E29179

General

Product Family	PCB Headers
Series	501190
Application	Signal, Wire-to-Board
Comments	With Pick-and-Place Tape
Overview	Pico-Clasp Wire-to-Board Connectors
Product Name	Pico-Clasp
UPC	822348790180

Physical

Breakaway	No
Circuits (Loaded)	40
Circuits (maximum)	40
Color - Resin	Natural
Durability (mating cycles max)	30
First Mate / Last Break	No
Flammability	94V-0
Glow-Wire Capable	No
Guide to Mating Part	No
Keying to Mating Part	None
Lock to Mating Part	Yes
Material - Metal	Phosphor Bronze
Material - Plating Mating	Gold
Material - Plating Termination	Gold
Material - Resin	Nylon
Net Weight	532.100/mg
Number of Rows	2
Orientation	Vertical
PCB Locator	No
PCB Retention	Yes
Packaging Type	Embossed Tape on Reel
Pitch - Mating Interface	1.00mm
Plating min - Mating	0.102µm
Plating min - Termination	0.102µm
Polarized to Mating Part	Yes
Polarized to PCB	Yes
Robotic Placement	Vacuum Pick-Up Tape
Stackable	No
Temperature Range - Operating	-40° to +105°C
Termination Interface: Style	Surface Mount



Series image - Reference only

EU ELV

Not Relevant

EU RoHS

Compliant

REACH SVHC

Not Contained Per -
ED/61/2018 (27 June
2018)

Halogen-Free

Status

Not Low-Halogen

For more information, please visit [Contact US](#)

China ROHS

ELV

RoHS Phthalates

China RoHS

Green Image

Not Relevant

Not Contained

Search Parts in this Series

[501190 Series](#)

Mates With

[Pico-Clasp Female Housing 501189](#)

Electrical

Current - Maximum per Contact
Voltage - Maximum

1.0A
50V AC (RMS)/DC

Material Info**Reference - Drawing Numbers**

Application Specification
Packaging Specification
Product Specification

5011890000-A00, 5011890000-A01
SPK-501190-001-001
PS-501190-001-001, PS-501190-003-001,
PS-501190-004-001
SD-501190-003, SD-501190-004

Sales Drawing

This document was generated on 10/15/2018

PLEASE CHECK WWW.MOLEX.COM FOR LATEST PART INFORMATION