

## IE-PCB-SPO-P-180V-THR

**Weidmüller Interface GmbH & Co. KG**

Klingenbergstraße 26

D-32758 Detmold

Germany

[www.weidmueller.com](http://www.weidmueller.com)



### Single Pair Ethernet PCB sockets

Single pair Ethernet is a technology that only requires one pair of wires to transmit data and power.

The resulting benefits will make SPE the preferred network at the field level and beyond.

Advantages of Single Pair Ethernet:

- Consistent: Single Pair Ethernet enables uniform Ethernet-based communication from the sensor to the cloud
- Future-proof: key technology for Industry 4.0 and IIoT
- Flexible: ranges of up to 1000 m and transmission properties of up to 1 Gbps enable use across applications
- Innovative: lighter, less space required, and reduced installation effort

### General ordering data

Version	PCB plug-in connector, male header, SPE (Single Pair Ethernet), Clip-on flange, THT/THR solder connection, 1.80 mm, Number of poles: 2, 180°, Solder pin length (l): 2.1 mm, Ni/Au, silver, Tape
Order No.	<a href="#">2795170000</a>
Type	IE-PCB-SPO-P-180V-THR
GTIN (EAN)	4064675 1 19265
Qty.	100 pc(s).
Packaging	Tape

## IE-PCB-SP0-P-180V-THR

Weidmüller Interface GmbH &amp; Co. KG

Klingenbergstraße 26

D-32758 Detmold

Germany

www.weidmueller.com

## Technical data

## Dimensions and weights

Depth	9.3 mm	Depth (inches)	0.366 inch
Height	9 mm	Height (inches)	0.354 inch
Width	5 mm	Width (inches)	0.197 inch
Net weight	4.03 g		

## Temperatures

Operating temperature	-40 °C...85 °C
-----------------------	----------------

## System specifications

LED	No	Mounting onto the PCB	THT/THR solder connection
Number of poles	2	Outgoing elbow	180°
Performance-Category	10/100 MBit/s, 1000 MBit/s	Pitch in inches (P)	0.071 inch
Pitch in mm (P)	1.8 mm	Plugging cycles	750
Product family	Industrial Ethernet	Protection degree	IP20
Shield surface	tinned	Shielding	Yes
Shielding material	CuSn	Side termination, characteristic	Clip-on flange
Solder pin dimensions	Octagonal	Solder pin length (l)	2.1 mm
Soldering process	Reflow soldering, Manual soldering, Wave soldering	Tolerance of solder pin position	± 0.1 mm
Transmission rate	10/100 MBit/s, 1000 MBit/s	Type of connection	Solder connection, Male contact

## Electrical properties

Dielectric strength, contact / contact	1000 V DC	Dielectric strength, contact / shield	2250 V DC
Insulation strength	≥ 500 MΩ	PoE / PoE+	PoDL acc. to IEEE 802.3bu / cg
Rated current	4 A	Rated voltage	72 V

## Standards

Connector standard	IEC 63171-2
--------------------	-------------

## Material data

Insulating material	LCP	Colour	silver
Colour chart (similar)	RAL 7001	Insulation strength	≥ 500 MΩ
Moisture Level (MSL)	1	UL 94 flammability rating	V-0
Contact base material	CuMg	Contact material	Cu
Contact surface	Ni/Au	Layer structure of solder connection	2...4 µm Ni / ≥ 0.25 µm Au
Operating temperature, min.	-40 °C	Operating temperature, max.	85 °C

## Packing

Packaging	Tape	VPE length	330 mm
VPE width	330 mm	VPE height	29 mm

## IE-PCB-SPO-P-180V-THR

**Weidmüller Interface GmbH & Co. KG**  
Klingenbergstraße 26  
D-32758 Detmold  
Germany

[www.weidmueller.com](http://www.weidmueller.com)

## Technical data

### Classifications

ETIM 6.0	EC002637	ETIM 7.0	EC002637
ETIM 8.0	EC002637	ECLASS 9.0	27-44-04-02
ECLASS 9.1	27-44-04-02	ECLASS 10.0	27-44-04-02
ECLASS 11.0	27-46-02-01		

### Approvals

ROHS	Conform
------	---------

### Downloads

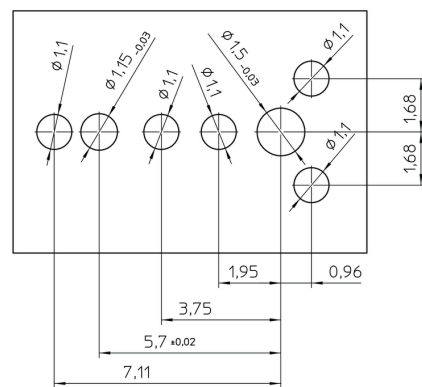
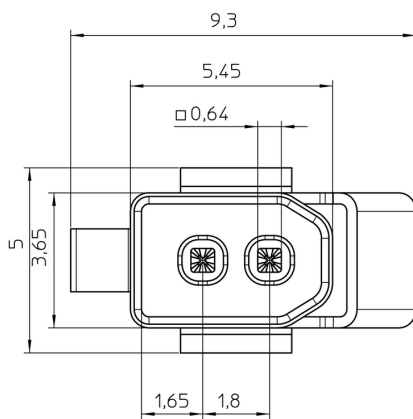
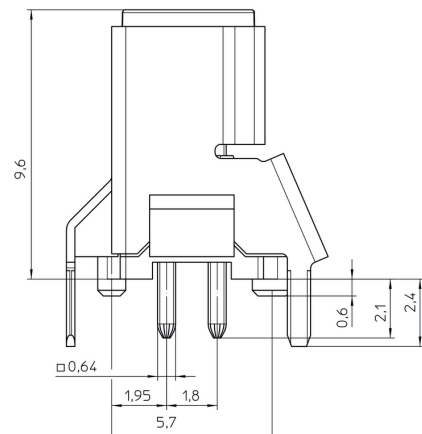
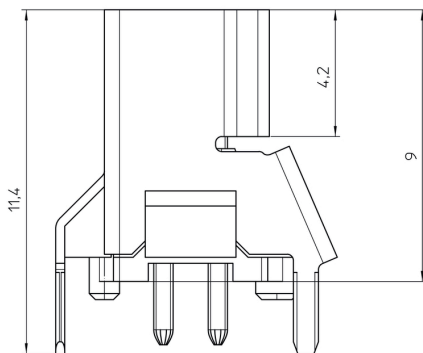
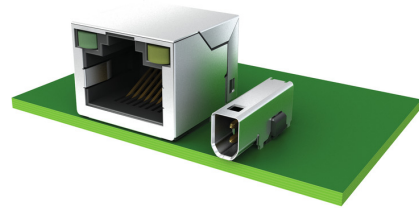
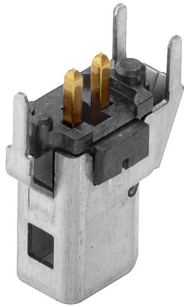
Engineering Data	<a href="#">CAD data – STEP</a>
Technical Documentation	<a href="#">IE-PCB-SPO-P-180V-THR</a>
Catalogues	<a href="#">Catalogues in PDF-format</a>

**IE-PCB-SP0-P-180V-THR**

**Weidmüller Interface GmbH & Co. KG**  
 Klingenbergstraße 26  
 D-32758 Detmold  
 Germany

[www.weidmueller.com](http://www.weidmueller.com)

**Drawings**



**Data sheet**

**IE-PCB-SP0-P-180V-THR**

**Weidmüller Interface GmbH & Co. KG**  
Klingenbergstraße 26  
D-32758 Detmold  
Germany

[www.weidmueller.com](http://www.weidmueller.com)

**Drawings**

