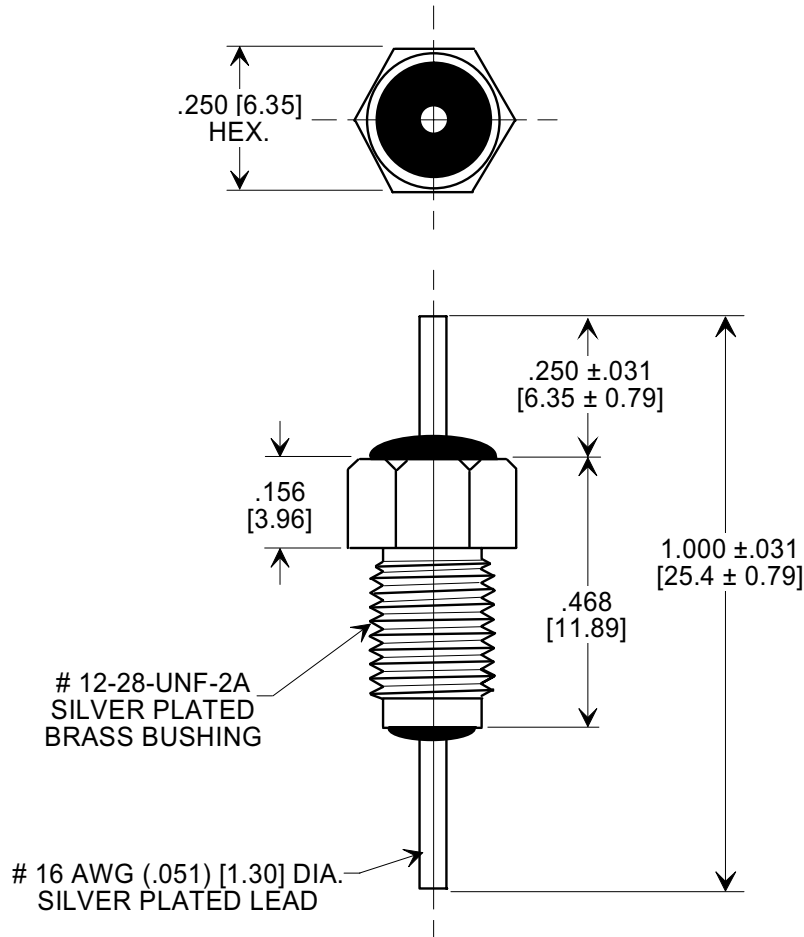
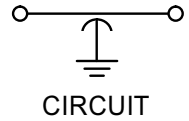


MARKETING SALES DRAWING
DIMENSIONS IN INCHES - DO NOT SCALE THIS DRAWING

Electrical Testing
per Tusonix standard
test plans and Mil-Std-202
Test Methods.



SPECIFICATIONS

CAP. VALUE	5000 pF
CAP. TOL.	+80%, -20%
TEMP. COEF.	X5W
CURRENT RATING	20 A
VOLT. RATING	250 VAC, 60 Hz
OPERATING TEMP.	-55 TO +85°C
D.W.V.	1200 VAC, 60 Hz, 2 SEC.

NOTES:

- SUPPLIED WITH SILVER PLATED HEX NUT AND INTERNAL TOOTH LOCK WASHER.

X-2015 Rev-0

REVISION RECORD

Original Release
C.O. 19990811-1-01
0

--TOLERANCES--
Unless Otherwise Specified

DECIMAL ± .015

ANGLES ±

TUSONIX
TUCSON, ARIZONA

Title **BUSHING STYLE FEED-THRU CAPACITOR**

Drawn L.E. 08-11-99 Scale 3 X

Approved H.R. 08-11-99

A 2499-508-X5W0-502Z