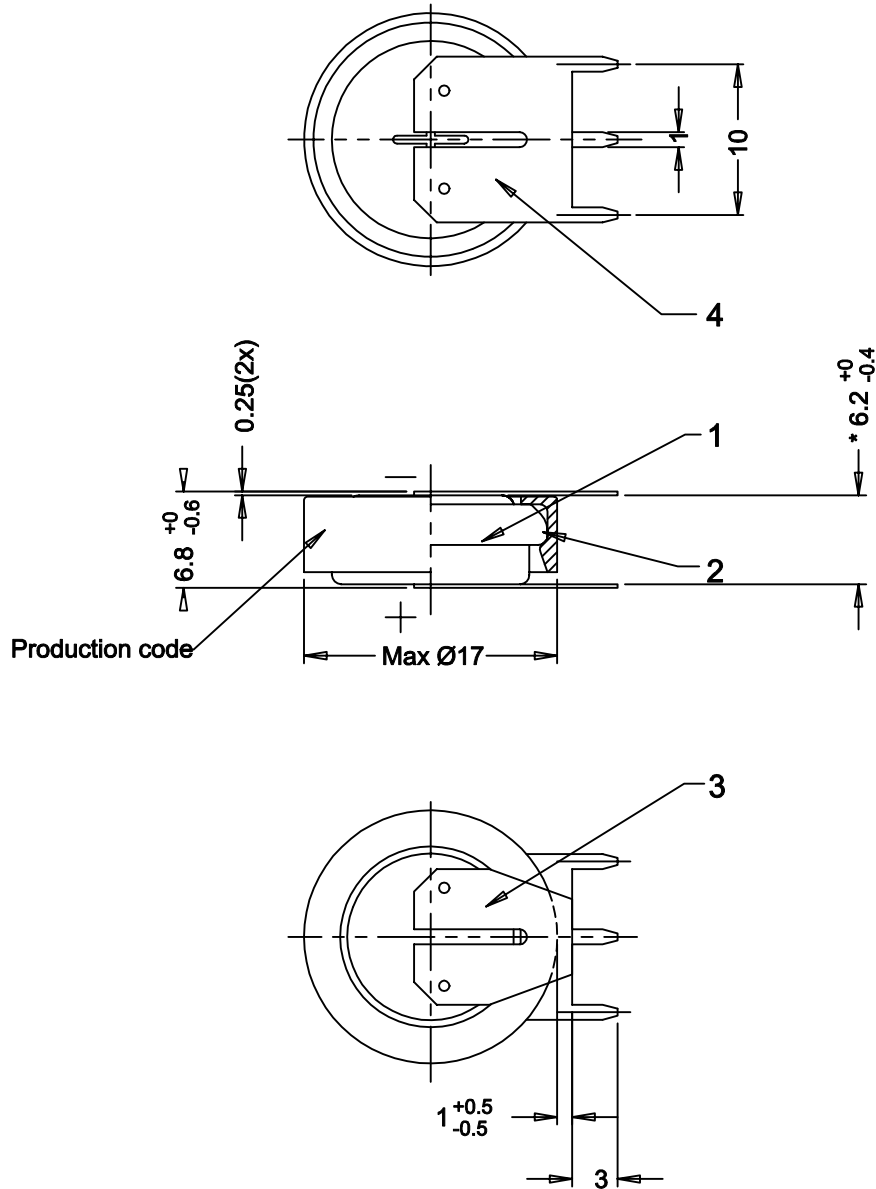


This is a controlled document.
 Hardcopy to be endorsed by authorized person.
 Check with Issuing Office or SAP system for latest update.



Note: 1) No welding onto the groove
 2) For typical PCB-application we recommend to use VARTA-Mempac batteries.

Approximate weight of battery : 4.2g

No.	Alterations:	Date:	Name:	Dimensions in mm	Material:
				Tolerance: DIN 7168 Medium	Refer to part list no: 070844
				Projection:	Description: V80H with snap-on plastic casing & solder tags
				Scale: 2 : 1	
				Loc. : 1 Date: Name:	
				Prepared: 1997-08-27 C.Y.LEE	
				Approved: 2001-	

RIGHTS RESERVED TO MAKE TECHNICAL CHANGES, AS A RESULT OF FURTHER DEVELOPMENT, WITHOUT NOTICE. THIS DRAWING IS THE PROPERTY OF VARTA BATTERIES PTE LTD AND MUST NOT BE COPIED OR DISCLOSED TO A THIRD PARTY WITHOUT THE WRITTEN CONSENT OF VARTA BATTERIES PTE LTD.



Dwg. No:	070844	400
VKB Order No:	55608 201 046	
Released :		