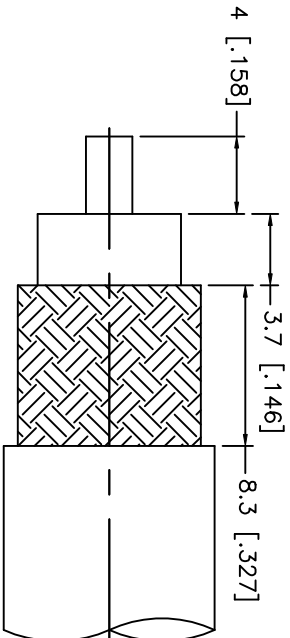
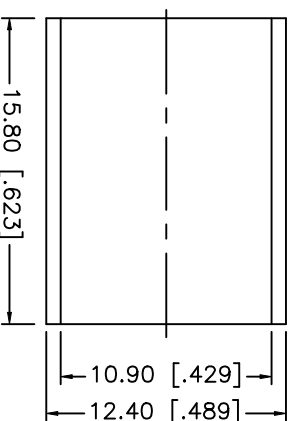
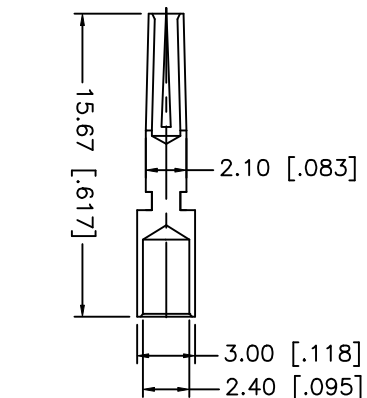
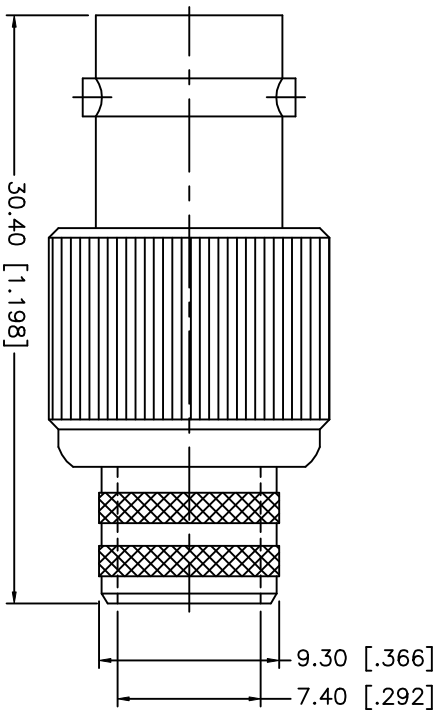


| REV. | DATE     | DESCRIPTION     |
|------|----------|-----------------|
| NC   | 07/22/02 | INITIAL RELEASE |



RECOMMENDED  
CABLE STRIPPING DIM'S



CRIMP NOTES:

1. CRIMPED FERRULE  
HEX CRIMP SIZE .429"
2. CRIMPED CONTACT PIN  
HEX CRIMP SIZE .100"

|   |             |  |           |          |   |          |            |              |
|---|-------------|--|-----------|----------|---|----------|------------|--------------|
| 8 |             | UNLESS OTHERWISE SPECIFIED<br>DIMENSIONS ARE IN MILLIMETERS  | APPROVALS | DATE     | TITLE   |          |            | REV.         |
| 7 |             | DIMENSIONS IN [ ]<br>ARE IN INCHES FOR<br>CUSTOMER REFERENCE ONLY  | DRAWN     | 07/22/02 | <b>Amphenol - Connex</b><br><b>CONNECTOR CORPORATION</b><br>BNC CRIMP JACK<br>(FOR RG-8, 213/U CABLE) |          |            | NC           |
| 6 |             | UNLESS OTHERWISE SPECIFIED<br>TOLERANCES FOR INCHES ARE:<br>.XXX = ± 0.005"<br>.XX = ± 0.010"<br>.X = ± 0.020" | CHECKED   |          |   |          |            |              |
| 5 |             |  | ISSUED    |          |   |          |            |              |
| 4 | FERRULE     | COPPER   |           |          | SIZE  | FSCM NO. | DWG. NO.   |              |
| 3 | CONTACT PIN | PHOS. BRONZE   |           |          | A   | 99001    | 112708.DWG |              |
| 2 | INSULATOR   | TEFLON   |           |          | SCALE   | PART NO. |            |              |
| 1 | BODY        | BRASS  |           |          | NA  | 112708   |            |              |
|   | DESCRIPTION | MATERIAL   | FINISH    |          |   |          |            | SHEET 1 OF 1 |