

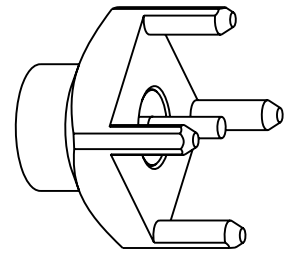
NOTES:

1. MATERIALS AND FINISHES:  
 BODY - BRASS, GOLD PLATING, .000030 [0.8] THICK OVER COPPER  
 CONTACT - BRASS, GOLD PLATING, .000030 [0.8] THICK OVER COPPER  
 INSULATOR - PEEK OR LCP
2. ELECTRICAL:  
 A. IMPEDANCE: 50 OHM  
 B. FREQUENCY RANGE: DC - 6 GHz  
 C. VSWR(RETURN LOSS): 1.10 (26.4 dB), MAX. DC-2GHz  
 1.22 (20 dB), MAX. 2-6GHz  
 D. DIELECTRIC WITHSTANDING VOLTAGE: 500 VRMS, MIN.
3. PHYSICAL:  
 A. DURABILITY: 500 CYCLES MIN.  
 B. ENGAGEMENT FORCE: 2 LB [9 N] MAX  
 C. DISINGAGEMENT FORCE: .5 LB [2.2 N] MIN  
 D. INNER CONTACT RETENTION FORCE: 1.5 LB [7 N] MIN  
 E. TEMPERATURE RANGE: -65° C TO 165° C
4. PACKAGING:  
 A. QUANTITY: SINGLE PACK  
 B. MARKING:  
 AMPHENOL  
 SMP-MSSB-PCT  
 DATE CODE  
 QTY

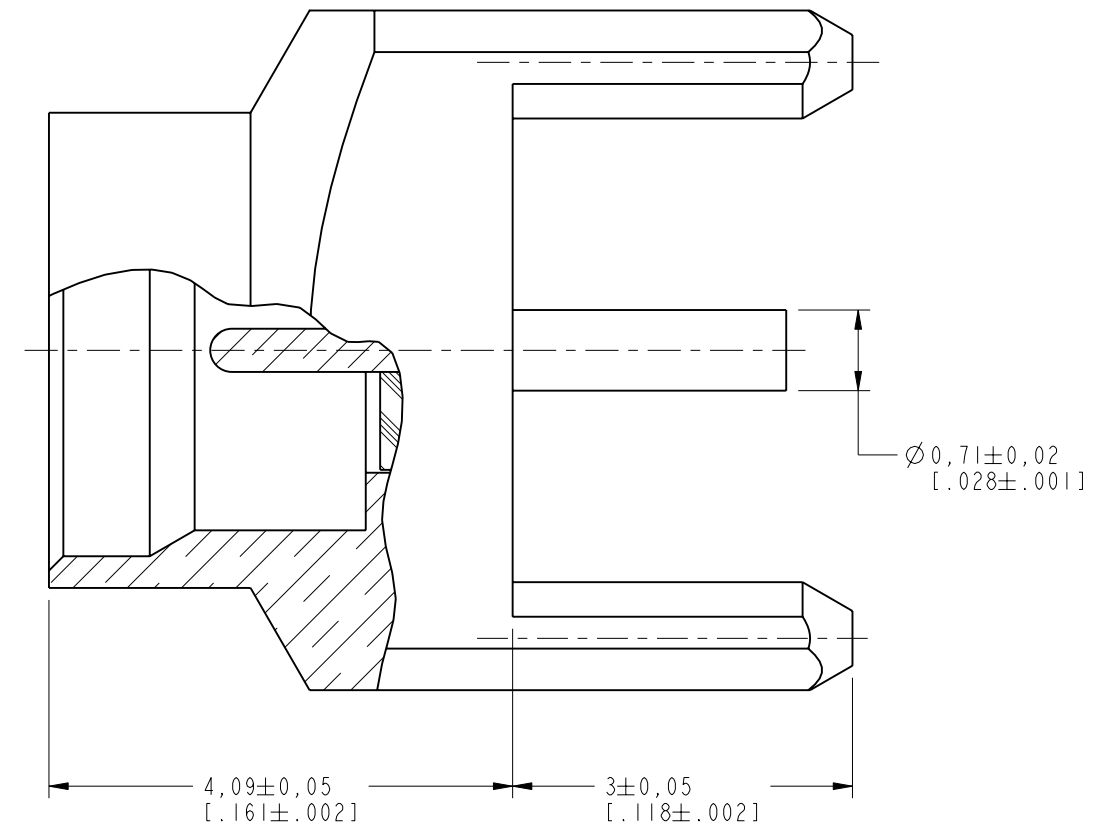
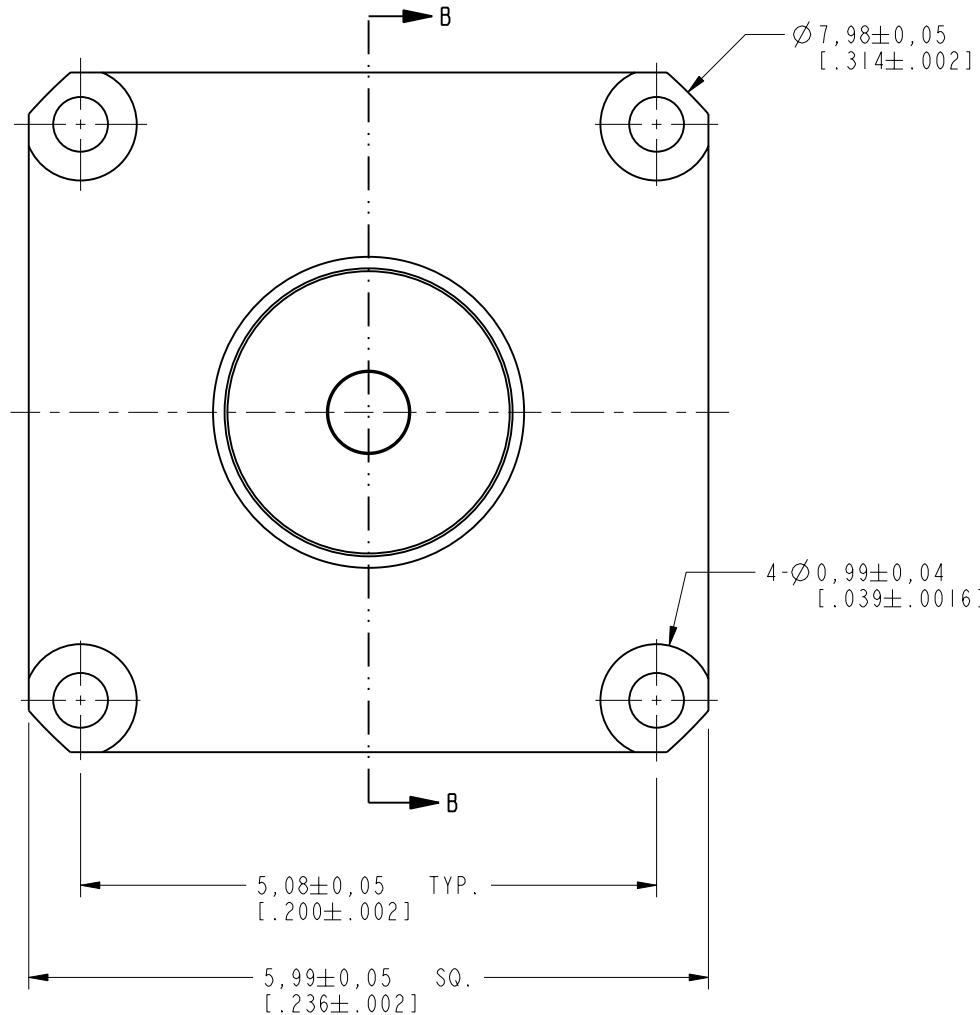
THIRD ANGLE PROJ.

REVISIONS

REV	DESCRIPTION	DATE	ECO	APPR
A	RELEASE TO MFG.	3/2/05	45417	RL
B	TITLE 'SMOOTH BORE' WAS 'CATCHERS MIT', ADDED BALOONS	12-Feb-14	49606	SH



SCALE 4.000



SECTION B-B

**CUSTOMER OUTLINE DRAWING**  
**ALL OTHER SHEETS ARE FOR INTERNAL USE ONLY**

UNLESS OTHERWISE SPECIFIED, DIMENSIONS ARE IN METRIC AND TOLERANCES ARE:  
 < 0.5mm ± 0.05mm    0.5 - 6mm ± 0.1mm    6 - 30mm ± 0.2mm    30 - 120mm ± 0.3mm    ANGLES ± 1°

NOTICE - These drawings, specifications, or other data (1) are, and remain the property of Amphenol corp. (2) must be returned upon request; and (3) are confidential and not to be disclosed to any person other than those to whom they are given by Amphenol Corp. the furnishing of these drawings, specifications, or other data by Amphenol Corp., or to any other person to anyone for any purpose is not to be regarded by implication or otherwise in any manner licensing, granting rights to permitting such holder or any other person to manufacture, use or sell any product, process or design, patented or otherwise, that may in any way be related to or disclosed by said drawings, specifications, or other data.

MATERIAL	DRAWN J. CHENG	DATE 11-Feb-14	TITLE SMP JACK, PIN CONTACT PCB RECEPTACLE SMOOTH BORE	Amphenol RF Danbury CT USA, Tainan, Taiwan, Shenzhen, China www.amphenolrf.com
REFERENCE EAR #            AND            615X-1732	ENGINEER MIKE HOYACK	DATE 28-Agu-31		
CONFIGURATION LEVEL: <input type="checkbox"/> <input type="checkbox"/> <input type="checkbox"/> <input type="checkbox"/>	APPROVED S. HSIEH	DATE 11-Feb-14	SCALE: 15.0:1.0	DRAWING NO. SMP-MSSB-PCT
FINISH	CAD FILE Root Folder/SMP/SMP-MSSB-PCT		SHEET 2 OF 2	ITEM NO. SMP-MSSB-PCT
			DWG SIZE B	PART NO. SMP-MSSB-PCT
			REV B	