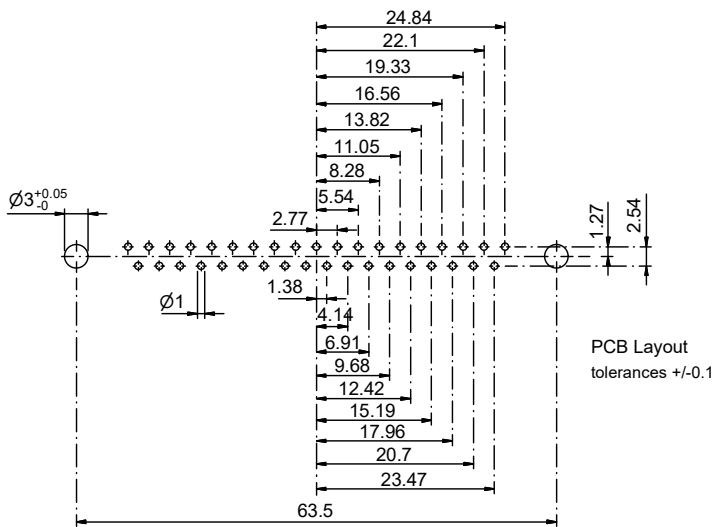
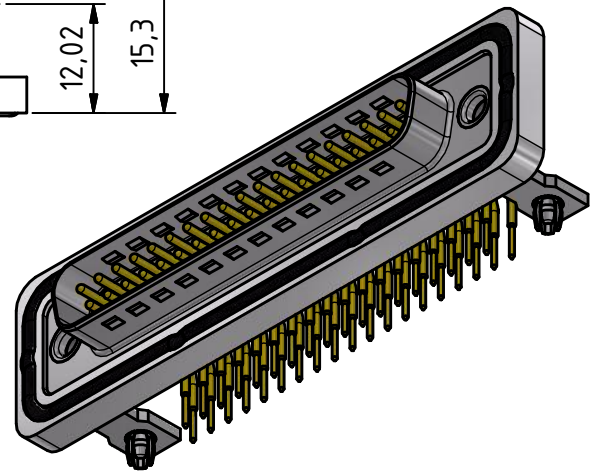
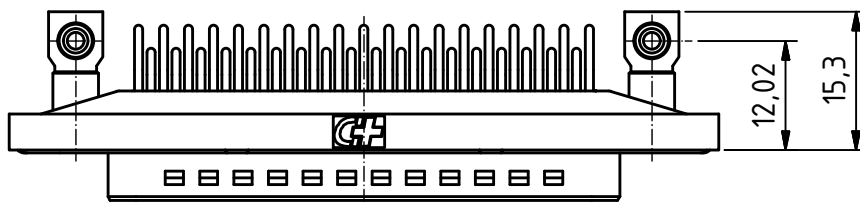
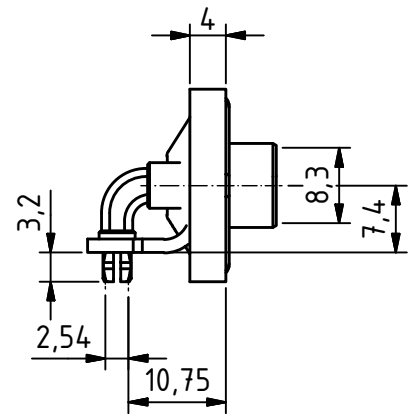
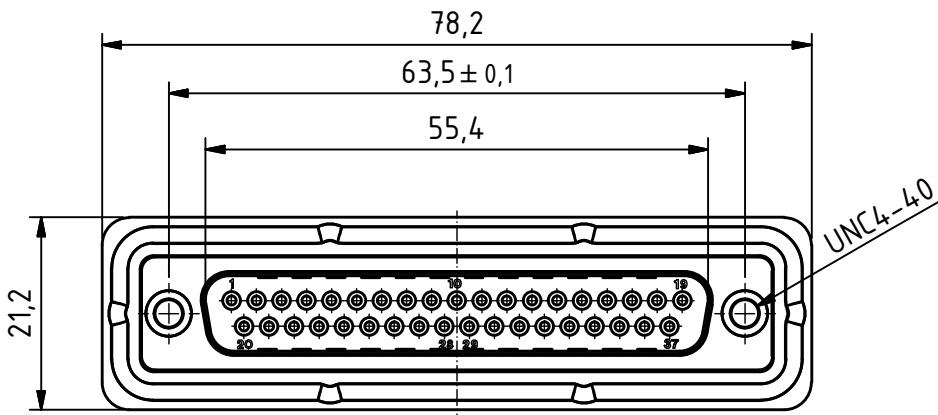


RoHS compliant



Waterproof IP68
Frame with O-ring sealing for back panel mounting

MATERIALS

- Insulator: Thermoplastic UL 94-V-0 white
- Frame: Zinc diecasting nickel plated
- Contact: Machined / Copper alloy
- Contact finish: Quality class 2
- Shell: steel tin plated

CHARAKTERISTICS

- Working voltage: 125V
- Current rating: 7.5A
- Contact resistance: max. 10mΩ - DIN41652
- Insulation resistance: >5GΩ
- Temperature range: -55° to +125°C

General tolerances (Deltron standard)			
size in mm			
> 0.5	> 3	> 6	> 30
up to 3	up to 6	up to 30	up to 120
tolerances			
±0.1	±0.2	±0.2	±0.3

modification	Rev.	Rev.	Rev.	DE017074 part no.		
	Rev.	Rev.	Rev.			
DTSWM37PYC/2M47UN	1.2:1 scale	drawn	19.11.2015	mw		
		checked				
		approved				
 CONNECT 2 CUSTOMIZE		Industrie Neuhof 8c CH-3422 Kirchberg www.d-sub.swiss		K062349 drawing no.		