

Data sheet Actuator.

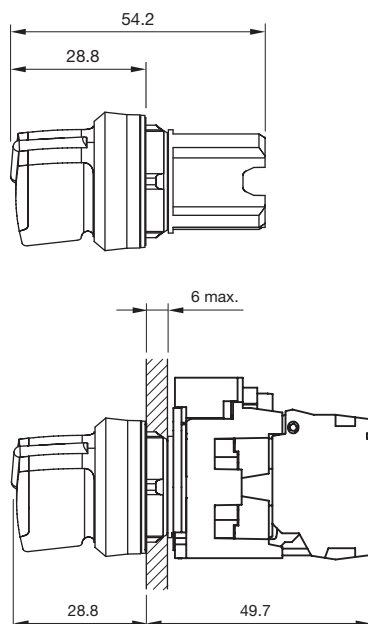
Part No.: 45-280S.1C90.003

Technical data

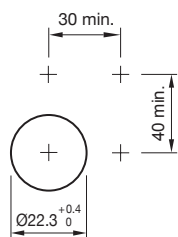


Design	raised
Front dimension	Ø 29,5 mm
Lever illumination	optional illuminative
Lever colour	White
Lever shape	short
Lever material	plastic
Front bezel colour	Black
Front bezel material	Plastic
Housing material	Plastic
Weight	0.022 kg
IP front protection	IP66, IP67, IP69K
Switching action	Momentary - Rest - Momentary
Rotary positions	3
Switching angle	45° left / 45° right
Operating temperature	- 25 °C ... + 70 °C
Climate resistance	During operation according to IEC 60721: 3K6, 3C3, 3S2, 3M6
Mechanical lifetime	1 Mio. cycles of operation
Hints	
	<ul style="list-style-type: none"> ▪ External diameter of the short lever 32.3 mm

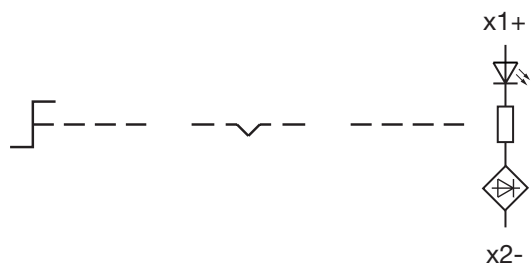
Dimensions



Mounting cut-outs



Wiring diagrams



Switching positions

