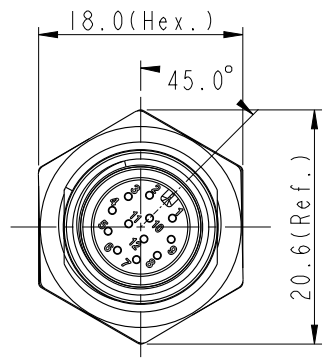
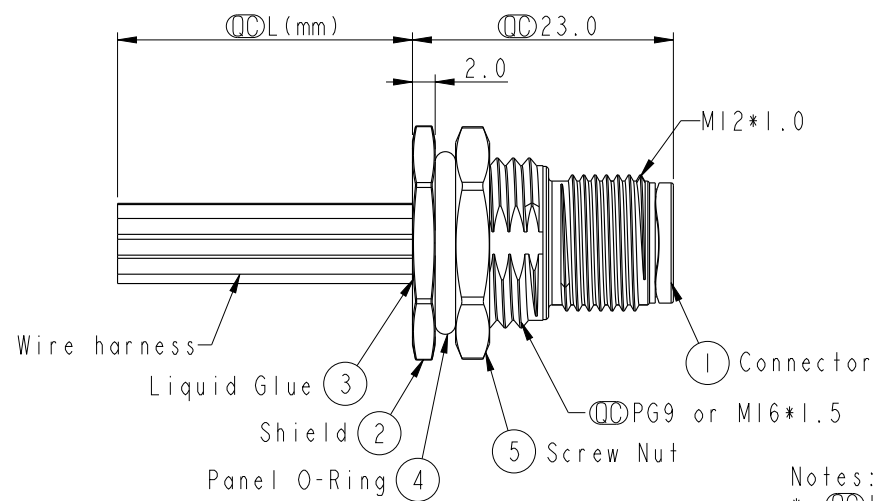
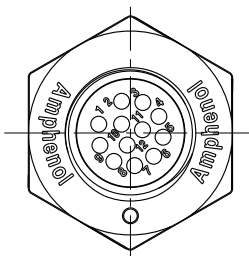
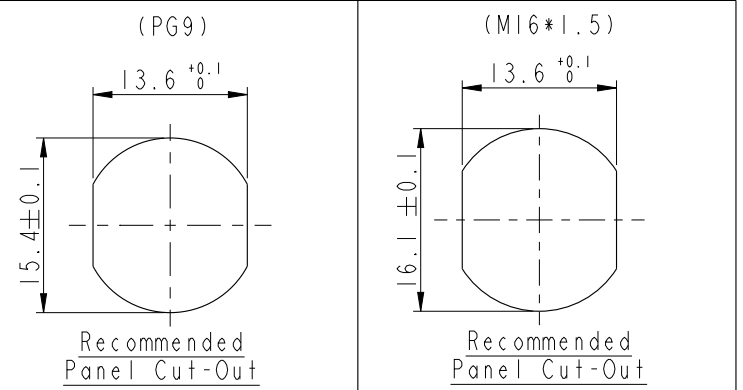


THIS DOCUMENT IS SUBJECT TO CHANGE WITHOUT NOTICE. IT IS CONFIDENTIAL AND A PROPERTY OF Amphenol LTW. DISCLOSURE TO THIRD PARTY HAS TO BE AUTHORIZED BY Amphenol LTW.

REV.	ECN NO.	DATE	SIGN	DESCRIPTION
C	LEN1680569-580 LEN1680598-603	2016/08/08	Yulong_wang	Add 6Pin & IP69K.
D	E191630	2019/09/19	Ruru	Update Wire Tolarance
E	BOMR19100207	2019/10/30	Peng	Add 17Pin



- Notes:
- * \varnothing Important Dimension.
 - $\triangle C$ * Waterproof Rate: IP68, IP69K.
 - * Connector: Nylon+GF, Black.
 - $\triangle E$ * Male Pin: Copper Alloy, Gold Plated.
 - * Shield: Zinc Alloy, Nickel Plated.
 - * Screw Nut: Zinc Alloy, Nickel Plated.
 - * Panel O-Ring: Viton, Black.
 - * Wire harness: UL1061
 - * Rated Voltage: 3 & 4Pin 250V dc. or ac.
5Pin 60V dc. or ac.
6~12Pin, 17Pin, 30V dc. or ac.
 - * Rated Current: 3~5Pin 4A
6~8Pin 2A
10~12Pin, 17Pin, 1.5A
 - * Operating Temperature: -25~85°C
 - * For Panel Thickness Max 4.5mm.
 - * Nut Torque: 4-6 Kgf.cm.
 - $\triangle D$ * Wire harness Tolerance: 150~300±15mm
301~1000±20mm
Over1000 ±50/-0mm



UNIT: mm

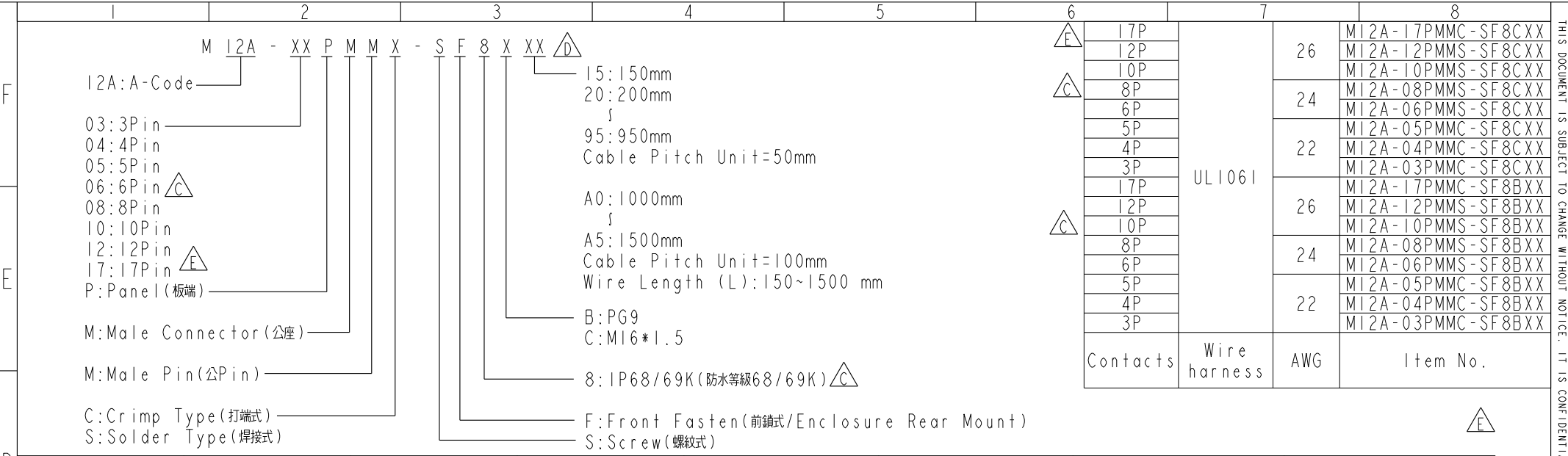
TOLERANCE	
.X	±0.25
.XX	±0.1
.XXX	±0.05
ANGLES	±1°

TITLE M12 A-Code Male Conn. Panel Front With Wire harness			
SCALE 3:2	SIZE A4	SHEET 1 OF 2	
REV. E	WC-REV. A.3	\varnothing : Inspection item	

Amphenol LTW
安費諾亮泰企業股份有限公司

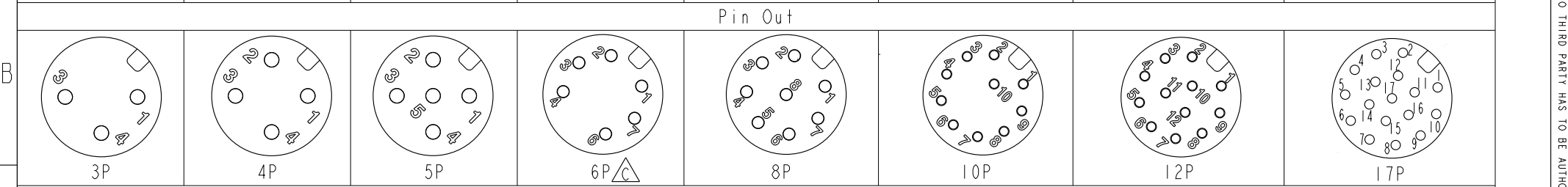
ITEM NO.	DWG NO.	CUSTOMER	DRAWN BY	CHECKED BY	APPROVED BY	DATE
	M12A-XXPMMX-SF8XXX	ALTW	Ruru	Rita	Max	2019-09-19

THIS DOCUMENT IS SUBJECT TO CHANGE WITHOUT NOTICE. IT IS CONFIDENTIAL AND A PROPERTY OF Amphenol LTW. DISCLOSURE TO THIRD PARTY HAS TO BE AUTHORIZED BY Amphenol LTW.



UL1061	17P	26	M12A-17PMMC-SF8CXX
	12P		M12A-12PMMS-SF8CXX
	10P		M12A-10PMMS-SF8CXX
	8P	24	M12A-08PMMS-SF8CXX
	6P		M12A-06PMMS-SF8CXX
	5P		M12A-05PMMC-SF8CXX
	4P	22	M12A-04PMMC-SF8CXX
	3P		M12A-03PMMC-SF8CXX
	17P		M12A-17PMMC-SF8BXX
	12P	26	M12A-12PMMS-SF8BXX
	10P		M12A-10PMMS-SF8BXX
	8P		M12A-08PMMS-SF8BXX
	6P	24	M12A-06PMMS-SF8BXX
	5P		M12A-05PMMC-SF8BXX
	4P		M12A-04PMMC-SF8BXX
	3P	22	M12A-03PMMC-SF8BXX
	Contacts		
Wire harness			
		AWG	Item No.

5	--	5	--	5	Gray	灰	5	--	5	Red	紅	5	Red/Blue	紅/藍	17	White/Gray	白/灰	
4	Black	4	Black	4	Black	黑	4	Blue	4	Blue	藍	4	Gray/Pink	灰/粉	16	Yellow/Brown	黃/棕	
3	Blue	3	Blue	3	Blue	藍	3	Pink	3	Pink	粉	3	Violet	紫	15	White/Yellow	白/黃	
2	--	2	White	2	White	白	2	-	2	Gray	灰	2	Black	黑	14	Brown/Green	棕/綠	
1	Brown	1	Brown	1	Brown	棕	1	Yellow	1	Yellow	黃	1	Red	紅	13	White/Green	白/綠	
								Green		Green	綠		Blue	藍	12	Red/Blue	紅/藍	
								Brown		Brown	棕		Pink	粉	11	Gray/Pink	灰/粉	
								White		White	白		Gray	灰	10	Violet	紫	
													Blue	藍	9	Red	紅	
													Pink	粉	8	Black	黑	
													Gray	灰	7	Red	紅	
													Yellow	黃	6	Blue	藍	
													Green	綠	5	Pink	粉	
													Brown	棕	4	Gray	灰	
													White	白	3	Black	黑	
															2	Yellow	黃	
															1	Green	綠	
																6	White	白
																5	Blue	藍
																4	Brown	棕
																3	White	白
																2	Blue	藍
																1	Brown	棕



Pin Assignments Front View

UNIT: mm		TITLE M12 A-Code Male Conn. Panel Front With Wire harness		Amphenol LTW 安費諾亮泰企業股份有限公司	ITEM NO	DRAWN BY	DATE		
		TOLERANCE .X ±0.25 .XX ±0.1 .XXX ±0.05 ANGLES ±1°	SCALE 3:2		SIZE A4	SHEET 2 OF 2	DWG NO M12A-XXPMXX-SF8XXX	CHECKED BY Rita	DATE 2019-09-19
		REV. E	WC-REV. A.3		◎: Inspection item		CUSTOMER ALTW	APPROVED BY Max	DATE 2019-09-19