



Datenblatt - Fiche technique - Data sheet

11.04.5846

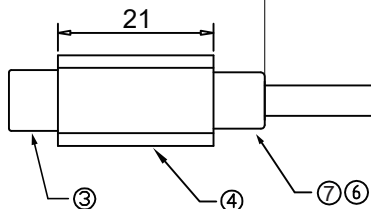
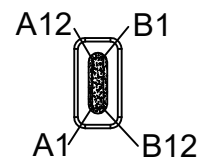


ROLINE USB Typ C - DisplayPort Adapterkabel, v1.2, ST/ST, 2,0 m

ROLINE Câble adaptateur type C - DisplayPort, v1.2, M/M, 2,0 m

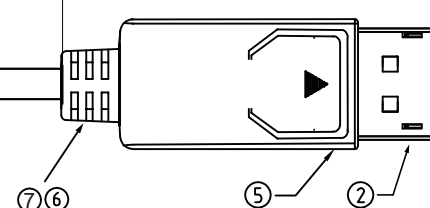
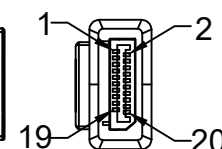
ROLINE Type C - DisplayPort Cable, M/M, 2.0 m

Type C Male

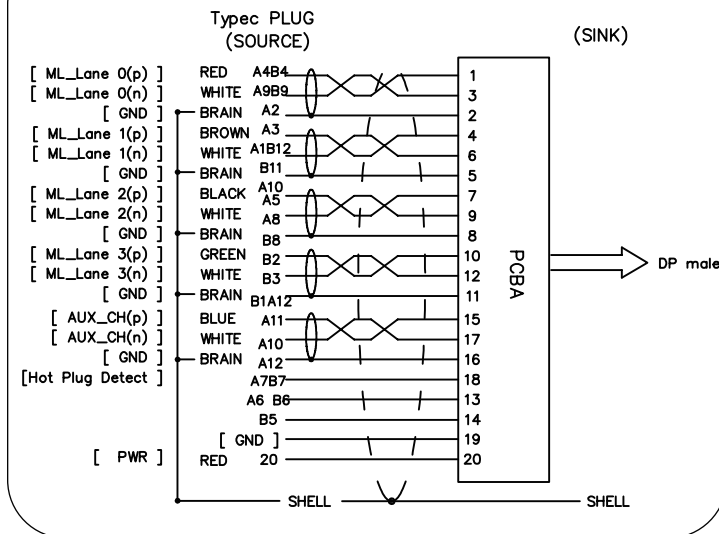


L±30 mm

DP Male



Pin Assignment



Note: Type C TO DP Real Machine Detection
Source Resolution:
3840 * 2160P Refresh @Rate: 60HZ

Specification :

- 1 Cable UL20276, [(32AWG*1P+D+AL/MY)*4C+32AWG*5C+24AWG*2C]+AL/MY+BD.
Jacket Color: Black. OD: 4.8±0.15 mm
- 2 Conn. DP Male. Shell: Nickel Plated W/PCBA
- 3 Conn. Type C Male. Insulator: Black. Shell: Nickel Plated
- 4 Outer Cover For Type C Male. ABS
- 5 Outer Cover For DP Male. ABS
- 6 Inside Molding PE
- 7 Outside Molding PVC: 45P. Color: Black

Table :

Part No.	Length	Resistance
11.04.5845	1000mm	2 ohm
11.04.5846	2000mm	2 ohm

Rev.	Date	Contents of Change	Designer	Tol±								Approve	Check	Draw	Design	Product Name	ROLINE Adapter Cable USB Type C-DP1.2		
				Range	Pla	Met	Ins	Por	Cab	Pac	Gas						Dis	Drawing Date	Product No.
①				0~6	0.1	0.1	0.1	0.2	0.5	1	0.5	0.2	Allen	Allen	Philip				
②				6~30	0.1	0.1	.15	.25	1	1	0.5	.25							
③				30~80	0.1	.15	0.2	0.3	2	1.5	1	0.3							
④				80~180	.15	.15	.25	0.3	2	2	1	.45							
⑤				180~315	.15	0.2	0.3	0.4	2.5	2	1	0.6							
				315~800	0.2	0.3	0.4	0.5	3	3	2	1.1	Scale	1 : 1	Unit	mm			

