

3.81mm Side Header Closed 8A Terminal Blocks

Specifications

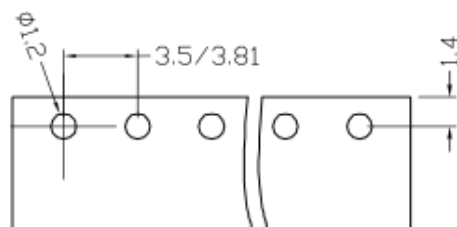
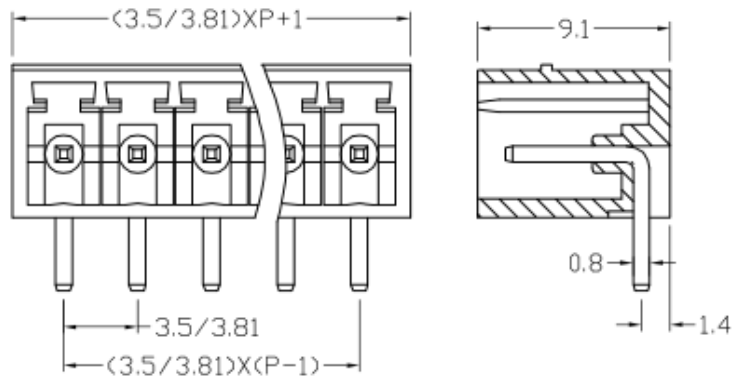
Pitch:	3.81mm
Type:	90°, Closed-ended
Poles:	2 to 12
Rated Voltage:	300V
Rated Current:	8A
Operational Temperature:	-40°C to +105°C
Withstand Voltage:	2500V AC for 60s
Insulation Resistance:	500MΩ at 500V DC
Wave Soldering:	260°C for 5s
Hand Soldering:	350°C for 10s



Colour and Materials

Housing Colour:	Green
Housing Material:	PA66
Flame Retardancy:	UL94-V0
Pin Header:	Tin-plated brass

Order Code	Poles	Order Code	Poles
21-3056	2	21-3061	8
21-3057	3	21-3967	9
21-3058	4	21-3062	10
21-3059	5	21-3968	11
21-3060	6	21-3063	12
21-3966	7		



PCB

Measurements are in mm unless stated otherwise.

